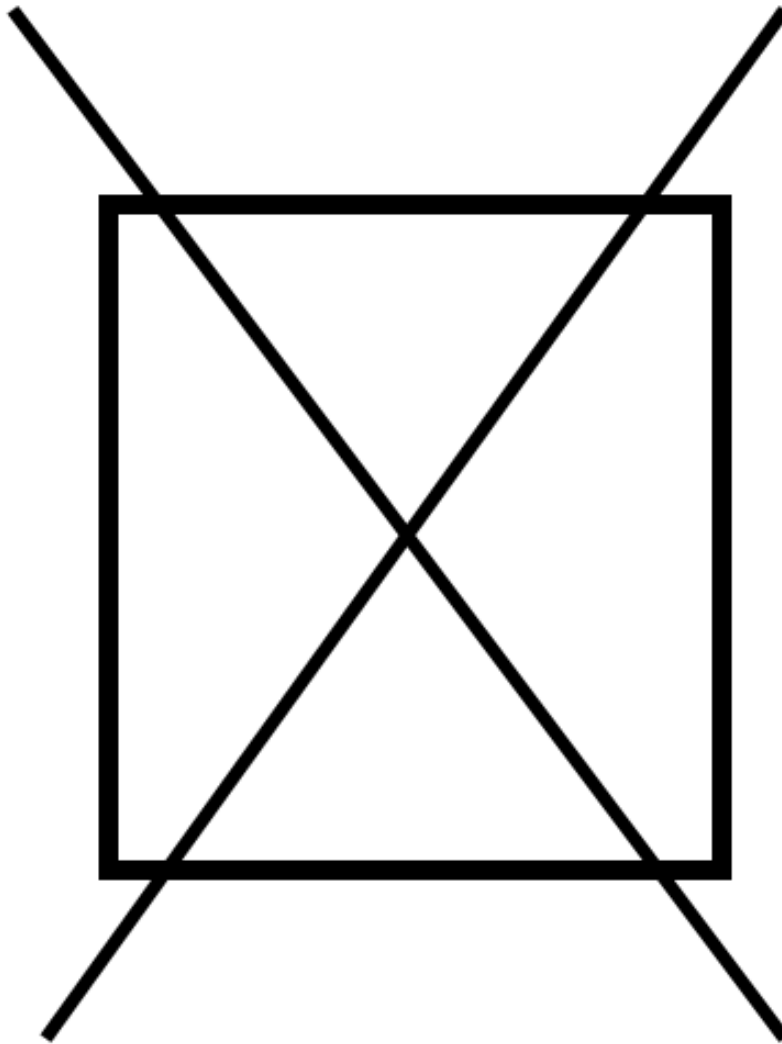


VCSB423DJMAGRSERIES

040066-000 HARNESS JUMPER LOWER	1
040078-000 HARNESS, JUMPER DISP	2
040085-000 HARNESS, MAIN	3
10916507 POWER CORD	4
CONTROL AREA	5
CONVERTIBLE MEAT SAVER	6
DELI DRAWER	7
DISP AREA	8
EVAPORATOR AREA	9
FREEZER COMPARTMENT	10
FREEZER DOOR FOAM AREA	11
FREEZER DOOR SKIN AREA	12
FREEZER SHELVING	13
ICE MAKER AREA	14
LOWER UNIT AREA	15
MC COVER AND GRILLE AREA	16
PE070785 HIGH VOLT HARNESS	17
PE970464 LOW VOLT HARNESS	18
PE970595 MACHINE HARNESS	19
PE970609 CONTROL BOARD HARNESS	20
PRODUCE DRAWER	21
REFRIGERANT SYSTEM	22
REFRIGERATOR COMPARTMENT	23
REFRIGERATOR DOOR FOAM AREA	24
REFRIGERATOR DOOR SKIN AREA	25
REFRIGERATOR SHELVING	26
UNIT EXTERIOR	27
UPPER UNIT AREA	28
WATER SYSTEM	29
Appendix A:Pages Index	A
Appendix B:Parts Index	B

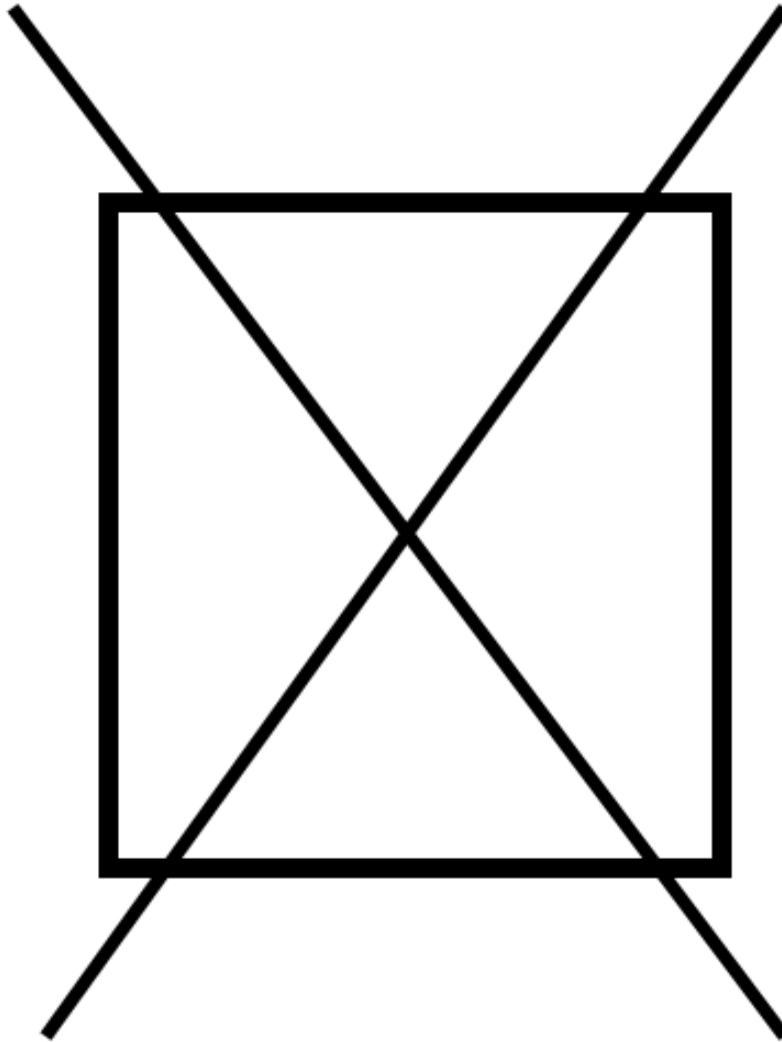
NON
ILLUSTRATED PART





Item	Part No.	Name	Qty	Uom	NOTES
1	040066-000	HARNESS JUMPER LOWER	1	EA	

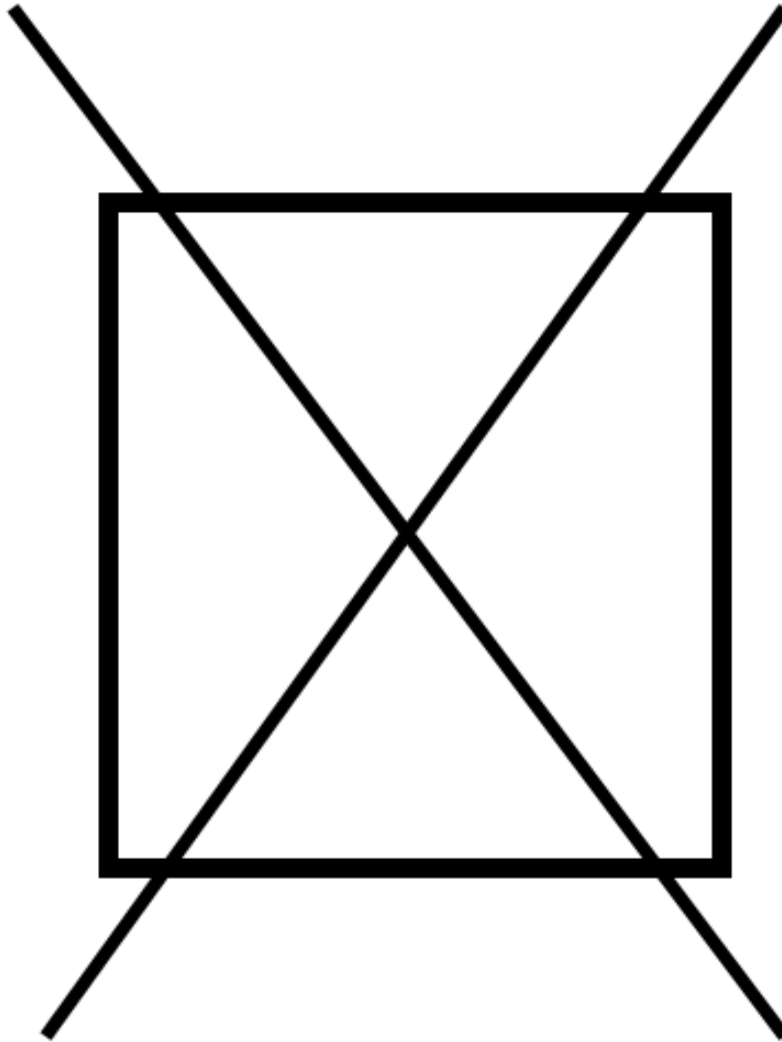
NON
ILLUSTRATED PART





Item	Part No.	Name	Qty	Uom	NOTES
1	040078-000	HARNESS, JUMPER DISP CAVITY	1	EA	

NON
ILLUSTRATED PART

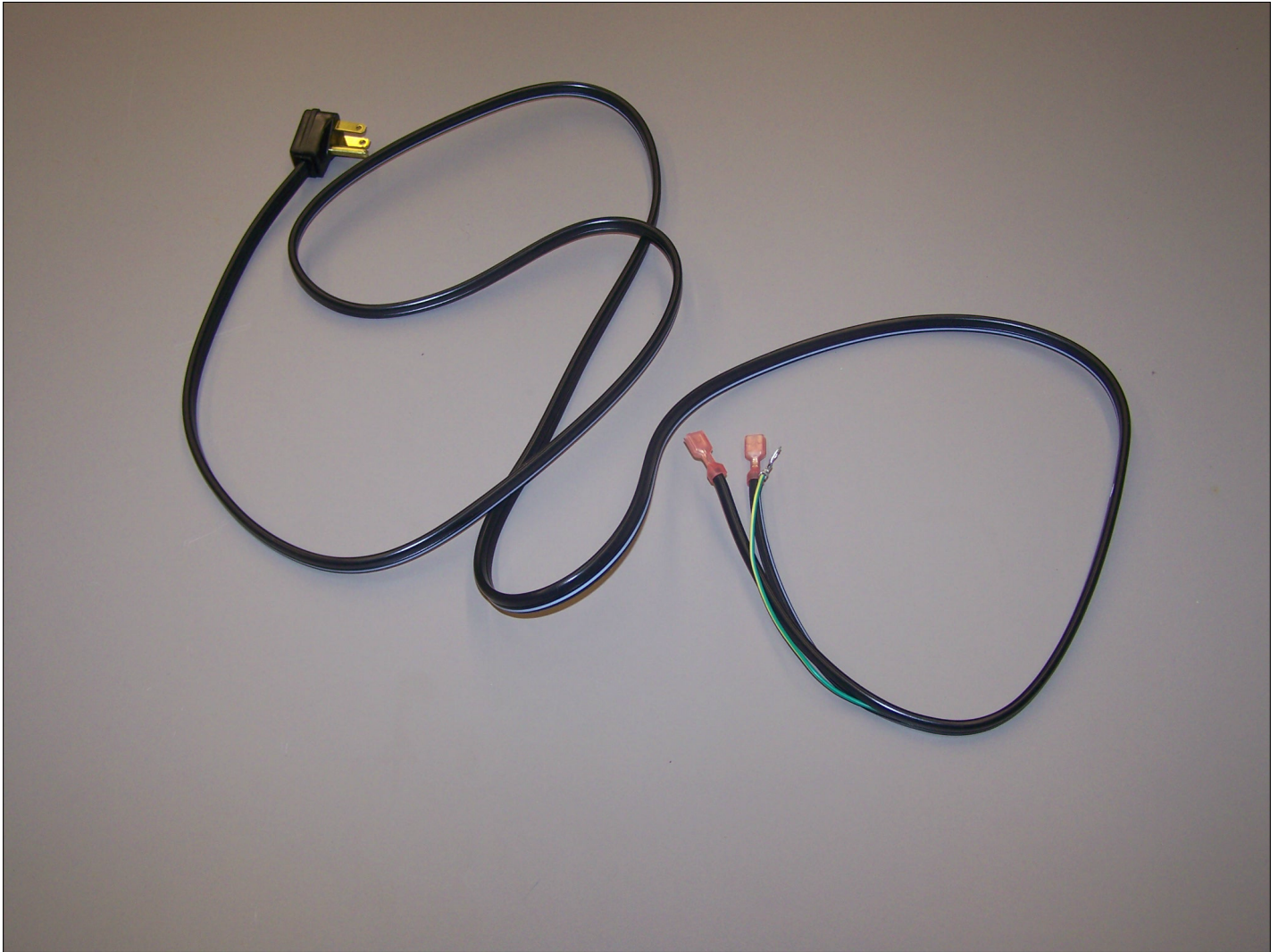




Item	Part No.	Name	Qty	Uom	NOTES
1	043051-000	Door Harness	1	EA	



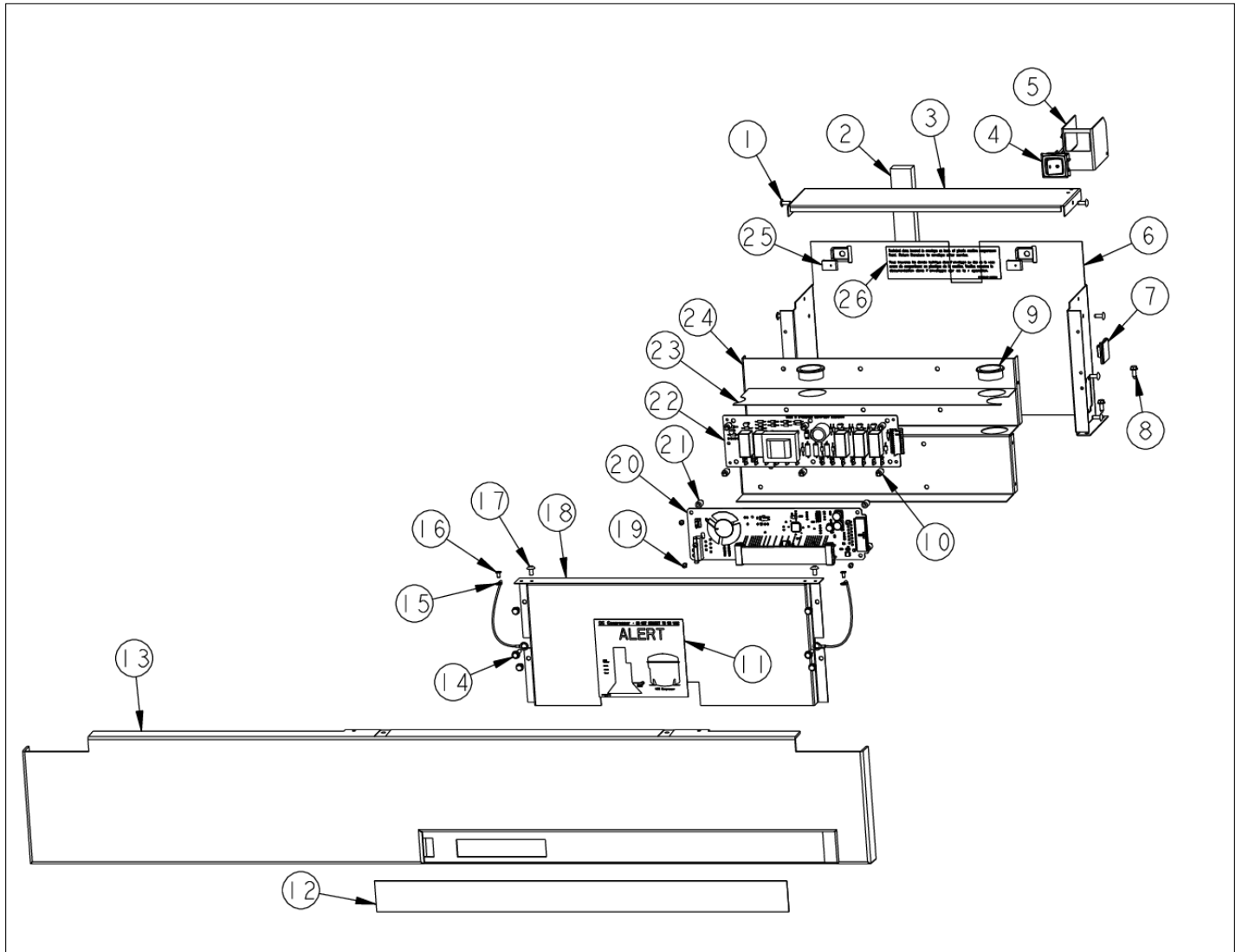
10916507 POWER CORD





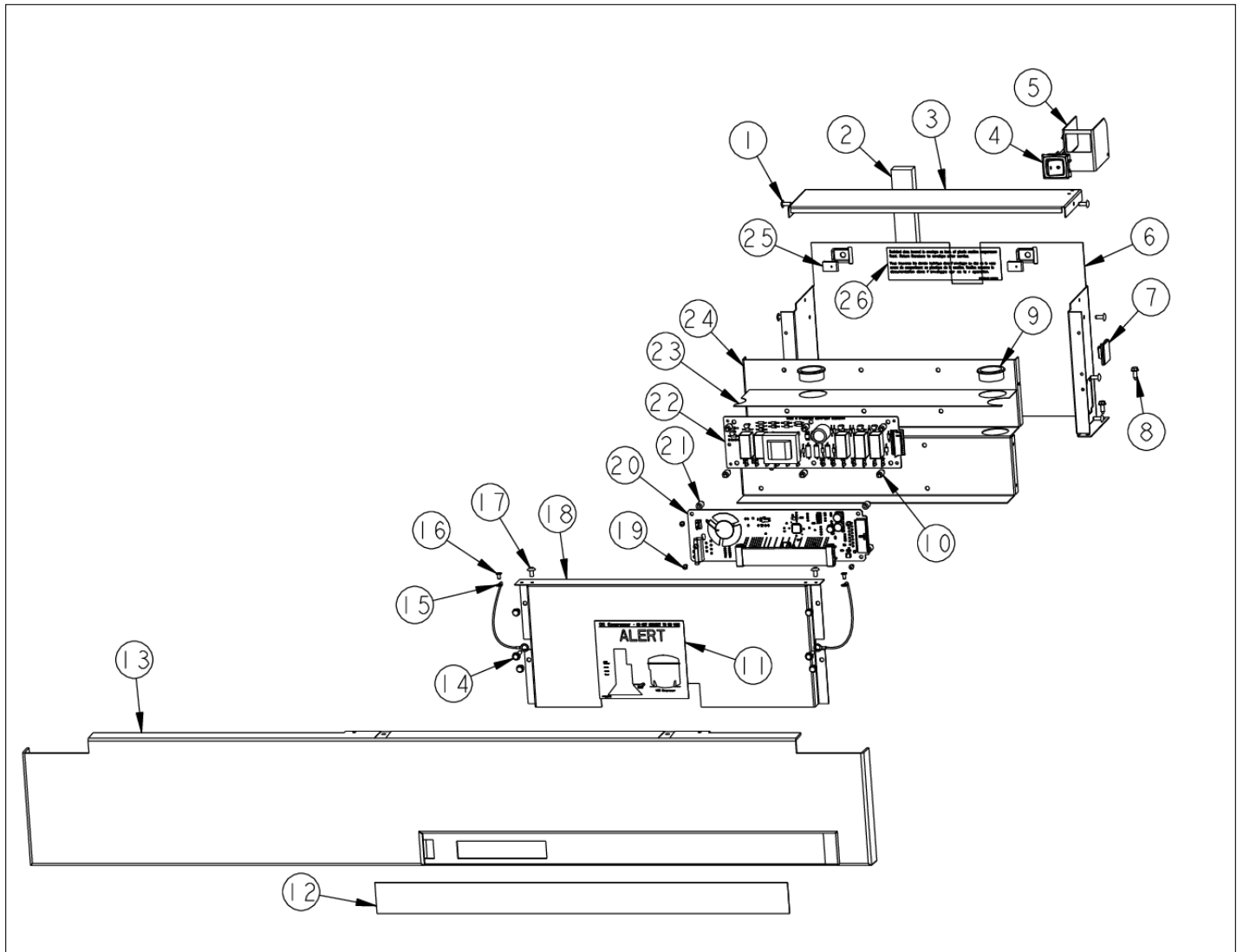
Item	Part No.	Name	Qty	Uom	NOTES
1	10916507	CORD-POWER 5 SERIES	1	EA	

CONTROL AREA





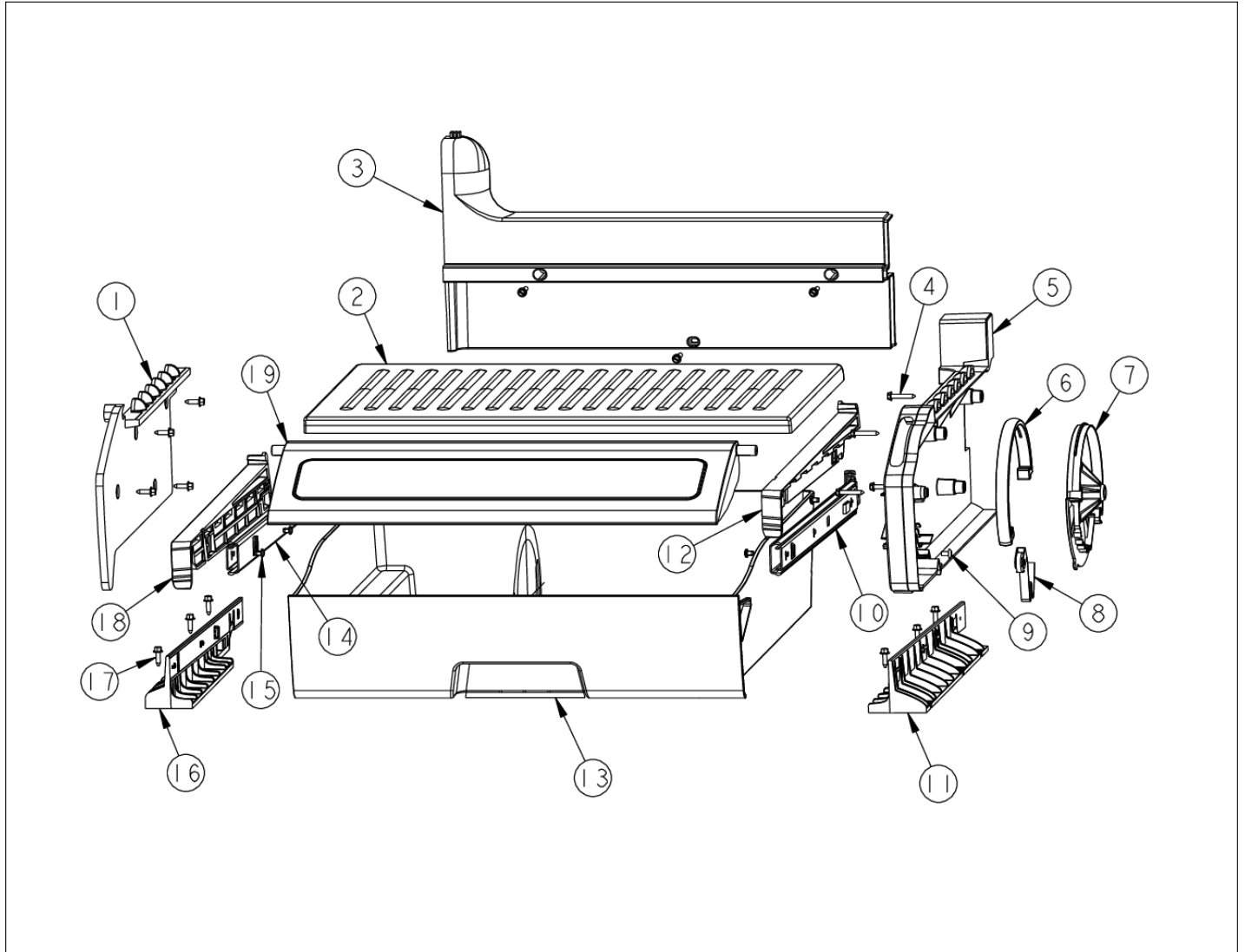
Item	Part No.	Name	Qty	Uom	NOTES
1	PC040010	POP RIVET (.063/GR -.125) GAMD42-A		EA	
2	A3030361	GASKET RED		EA	
3	K2091500	CONTROL BOX TOP		EA	Not available online / Call for pricing and availability
4	PE950149	SWITCH POWER		EA	
5	K2098654	Bracket, Power Switch		EA	
6	K2099402	CONTROL BOX		EA	
7	M0104106	CLIP-CORD VM0104106		EA	
8	PD020194	SCR, HEX SRTD WSHR HD, #8- 18 X 1/2		EA	
9	A4554817	BUSHING-SNAP VA4554817		EA	
10	M0585504	SUPPORT		EA	
11	PF930672	LABEL DC COMPRESSOR		EA	
12	PE950159	SWITCH, KEYBOARD		EA	
13	PK930230	Control Panel		EA	
14	M0238846	SCREW-SHLDR		EA	
15	12064001	SUPP-CONT PANEL		EA	
16	PC040010	POP RIVET (.063/GR -.125) GAMD42-A		EA	
17	M0224128	SCREW-SM		EA	
18	K20910061	CONTROL BOX FRONT		EA	
19	PD020013	TYPE "AB" #6 X 3/8 PH PAN HD. SMS		EA	
20	PE070728	BOARD LOW VOLTAGE		EA	
<p>Comments for Part Num. PE070728</p> <p>bradleysapplianceservice@shaw.ca on Apr 27, 2016</p> <p>COULD ALSO USE: 002670-000 LOW VOLTAGE BOARD KIT ANALOG - INCLUDES WIRE HARNESS</p>					
21	M0585506	SUPPORT		EA	
22	005319-000	POWER CONTROL BOARD ASM 5 SERIES		EA	





Item	Part No.	Name	Qty	Uom	NOTES
Comments for Part Num. 005319-000					
boltz on Apr 12, 2018					
See TR-0056-SP Bulletin					
23	PM910325	FILM, PROTECTIVE		EA	
24	K20910060	BRACKET - PC		EA	
25	M0288120	NUT-SPEED VM0288120		EA	
26	PF930487	TECH LITERATURE LABEL - 2		EA	

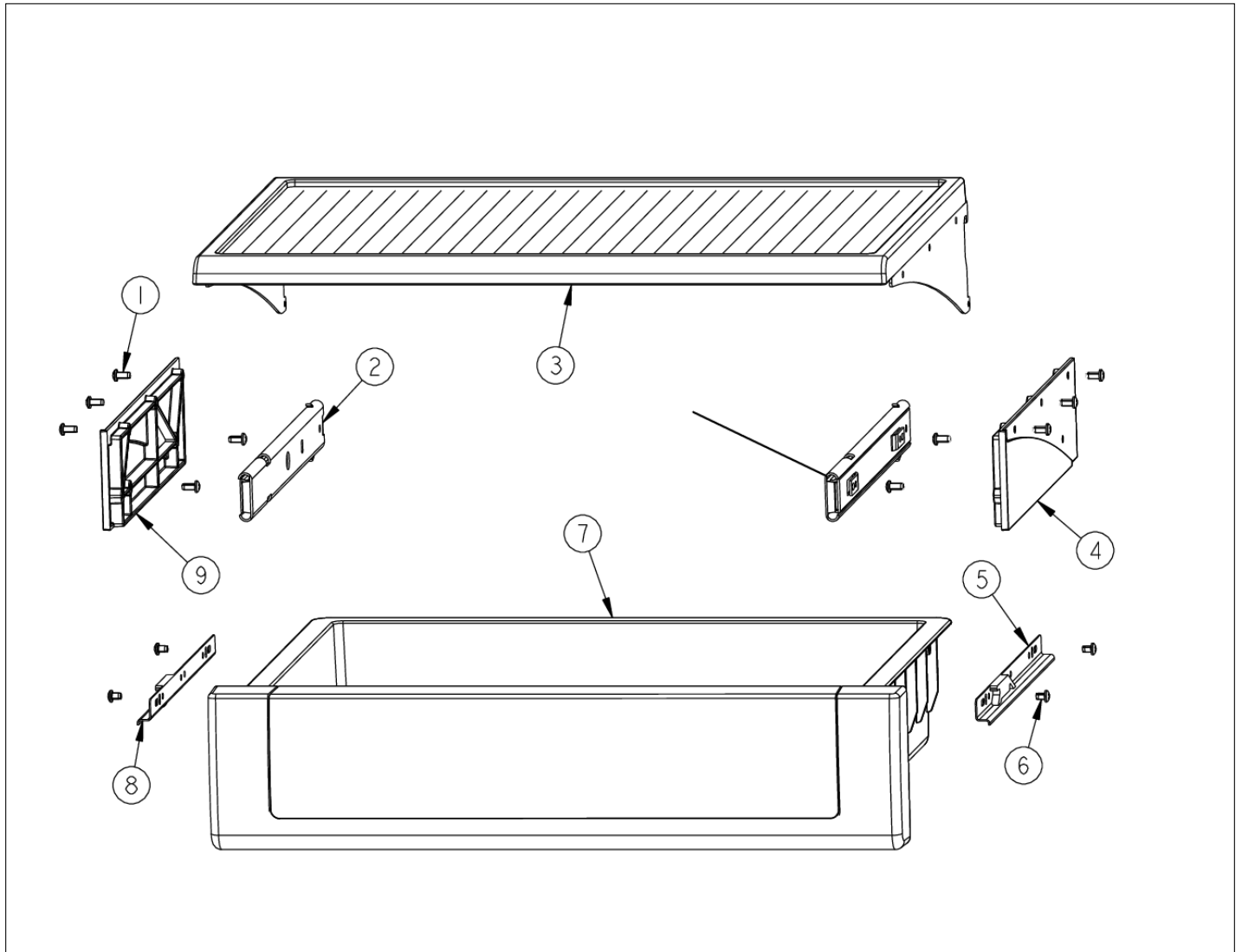
CONVERTIBLE MEAT SAVER





Item	Part No.	Name	Qty	Uom	NOTES
1	PK930170	DUCT MEAT SAVOR SXS 42 L	1	EA	
2	PK930120	SHELF MEAT SAVOR SXS 42	1	EA	
3	PK930171	DUCT MEAT SAVOR SXS 42 REAR	1	EA	
4	M0211021	SCREW-SM	1	EA	
5	044232-000	DUCT MEAT SAVOR (R)	1	EA	
6	PK930172	COVER CONTROL MEAT SAVOR	1	EA	
7	044384-000	DIAL CONTROL MEAT SAVOR	1	EA	
8	PM910334	ROLLER TENSION	1	EA	
9	M0224128	SCREW-SM	1	EA	
10	PM910287	SLIDE MEAT SAVOR R	1	EA	
11	PK930173	SUPPORT SLIDE MEAT SAVOR SXS 42/48 R	1	EA	
12	PK930175	SUPPORT DRAWER MEAT SAVOR SXS 42/48 R	1	EA	
13	PK930114	DRAWER MEAT SAVOR SXS 42	1	EA	
14	PM910288	SLIDE MEAT SAVOR L	1	EA	
<p>Comments for Part Num. PM910288</p> <p>profixappliances@gmail.com on May 3, 2017</p> <p>ITEM # 5 SHOULD BE PK930288-DOOR MEATSAVOR ASM AR/BM 36</p>					
15	PD920162	SCR 8-16 PLASTITE PNP 1/4 S	1	EA	
16	PK930174	SUPPORT SLIDE MEAT SAVOR SXS 42/48 L	1	EA	
17	PD020195	SCR 8-18 X 5/8	1	EA	
18	PK930176	SUPPORT DRAWER MEAT SAVOR 42/48 L	1	EA	
19	045689-000	DOOR MEATSAVOR ASM SXS 42	1	EA	

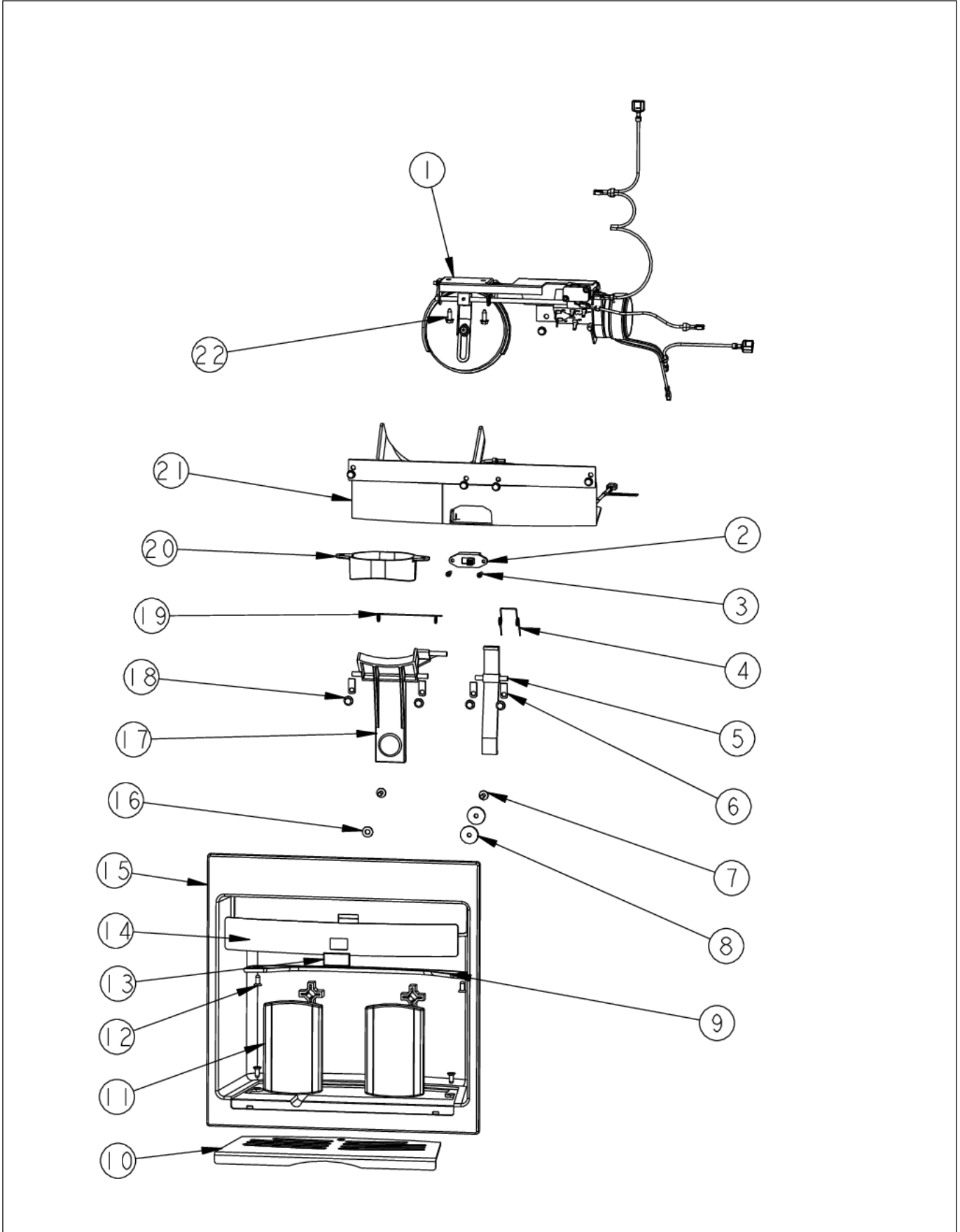
DELI DRAWER





Item	Part No.	Name	Qty	Uom	NOTES
1	PD920161	SCR 8-16 PLASTITE PNP 3/8 S	1	EA	
2	046255-000	SLIDE, DWR, SOFT CLOSE, LH	1	EA	
3	043623-000	SHELF ASM GLASS 42 FF	1	EA	
4	044214-000	SUPPORT SLIDER R	1	EA	
5	PM910343	RAIL DRAWER R	1	EA	
6	PD920162	SCR 8-16 PLASTITE PNP 1/4 S	1	EA	
7	PK930121	DRAWER DELI ASM SXS 42	1	EA	
8	PM910342	RAIL DRAWER L	1	EA	
9	044219-000	SUPPORT SLIDER L	1	EA	
10	046235-000	SLIDE, DWR, SOFT CLOSE-RH	1	EA	

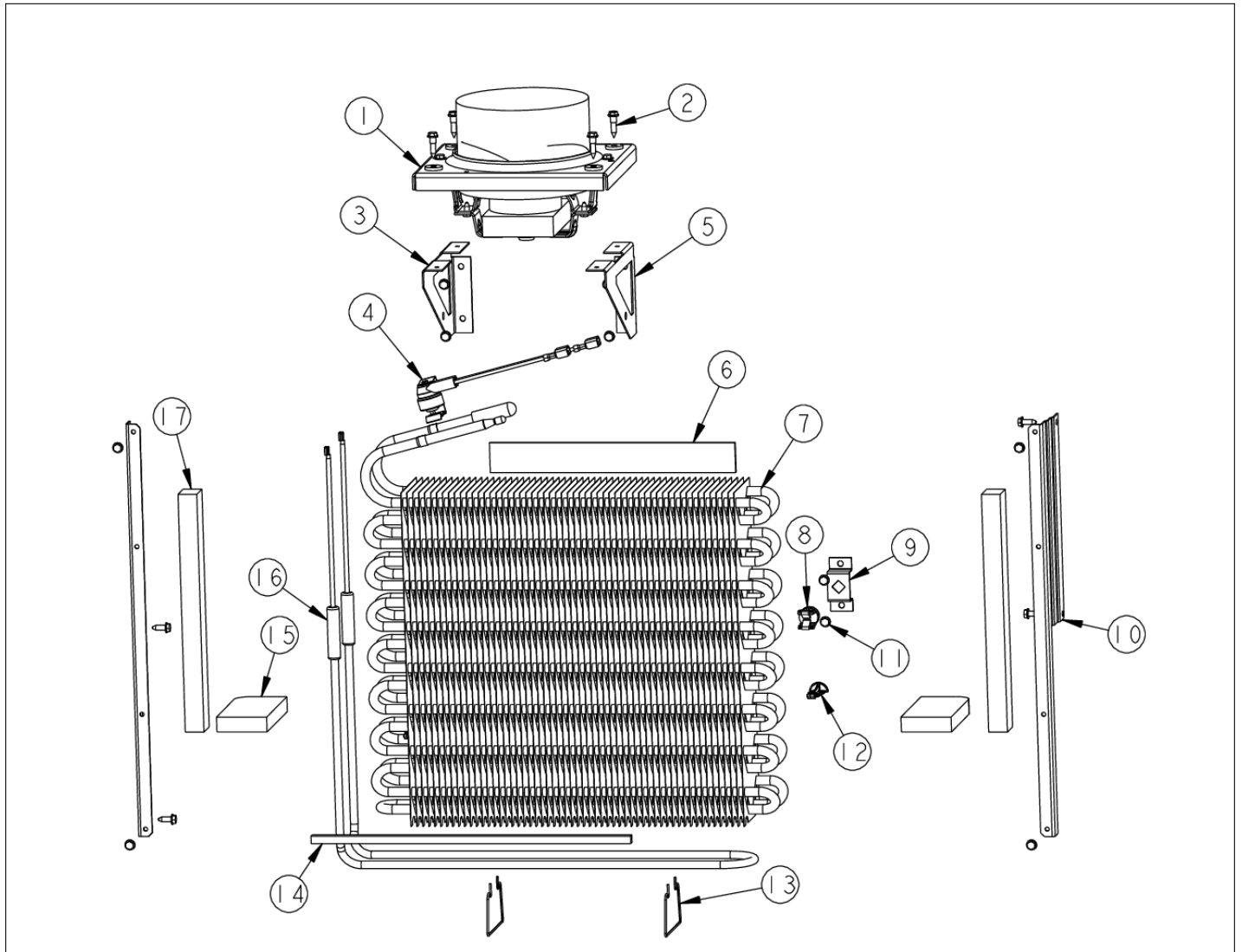
DISP AREA





Item	Part No.	Name	Qty	Uom	NOTES
1	G50914155	ICE DISPENSER MODULE ASM	1	EA	
2	PE950152	SWITCH SLIDE	1	EA	
3	00334-000	SCREW, #4-24 X 1/2	1	EA	Not available online / Call for pricing and availability
4	B8385402	SPRING-RETURN	1	EA	
5	PK930404	ARM WATER ACTUATOR	1	EA	
6	B10910081	DISP RETAINER ICE ARM	1	EA	
7	M0210443	SCREW-E SM VM0210443	1	EA	
8	M0270546	WASHER	1	EA	
9	V12268304	STOP E FACADE (BLK)	1	EA	
10	PB980023	SPILL TRAY - I/W DISPENSER	1	EA	
11	V12221005	PAD - E ACTUATOR (BLK)	1	Wholesale Price	
12	M0215318	SCREW-SM	1	EA	
13	013685-000	SLIDE SWITCH CAP (GRAY)	1	EA	
14	041624-000	Insert Façade (After 4/15/05)	1	EA	
15	011673-000	BEZEL I/W DISPENSER PRO	1	EA	
16	PD040071	#10 S.S. FLAT WASHER	1	EA	
17	PK030470	ARM ICE ACTUATOR	1	EA	
18	PD020193	SCR 8-18 X 3/8	1	EA	
19	PC010022	SPRING RETURN ICE ACTUATOR	1	EA	
20	PM010625	SHROUD ICE DISPENSER BK	1	EA	
21	PE070755	DISPENSER CAVITY ASSEMBLY	1	EA	
22	PD020194	SCR, HEX SRTD WSHR HD, #8-18 X 1/2	1	EA	
NI	011209-000	6 WATT LIGHT BULB	1	EA	

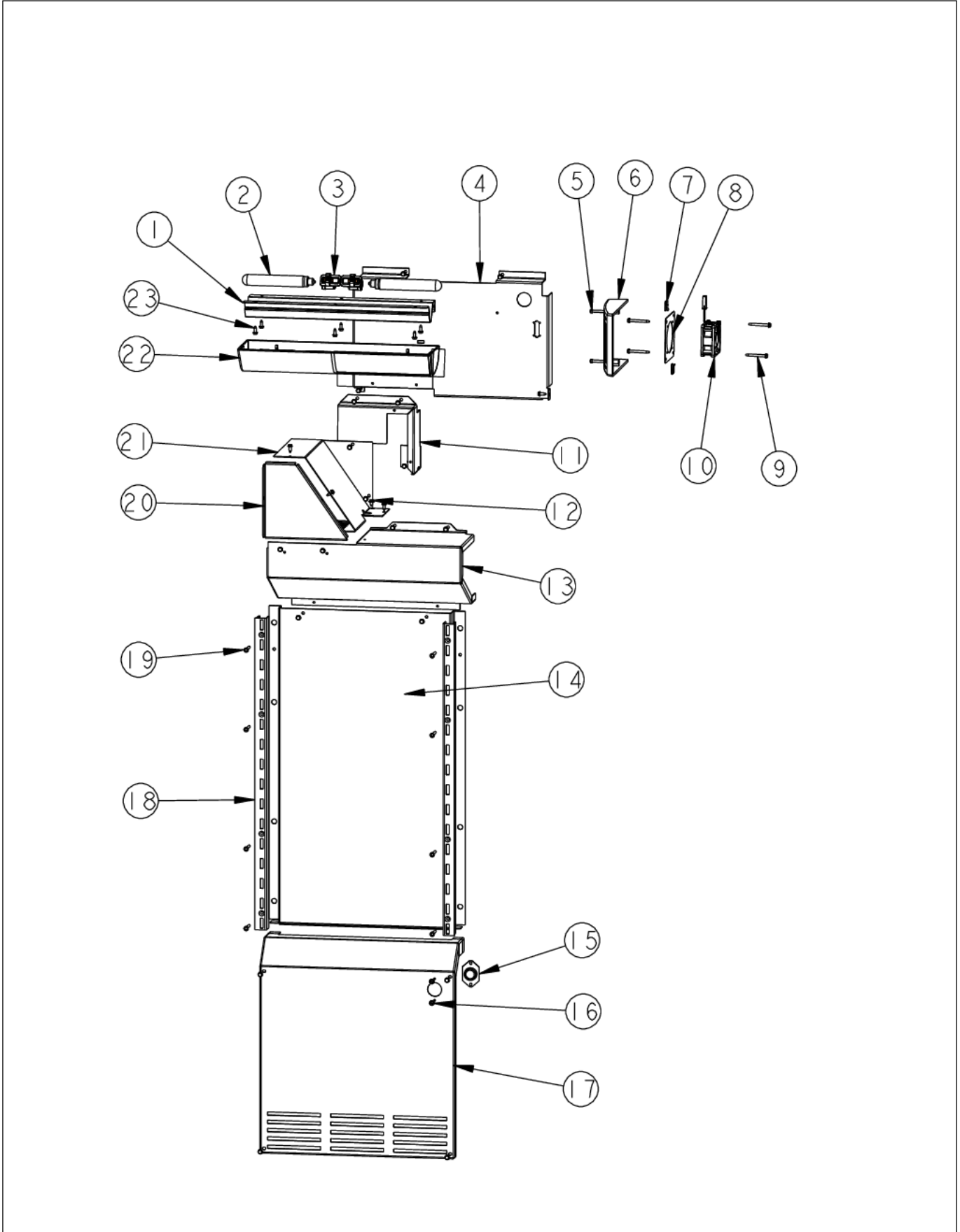
EVAPORATOR AREA





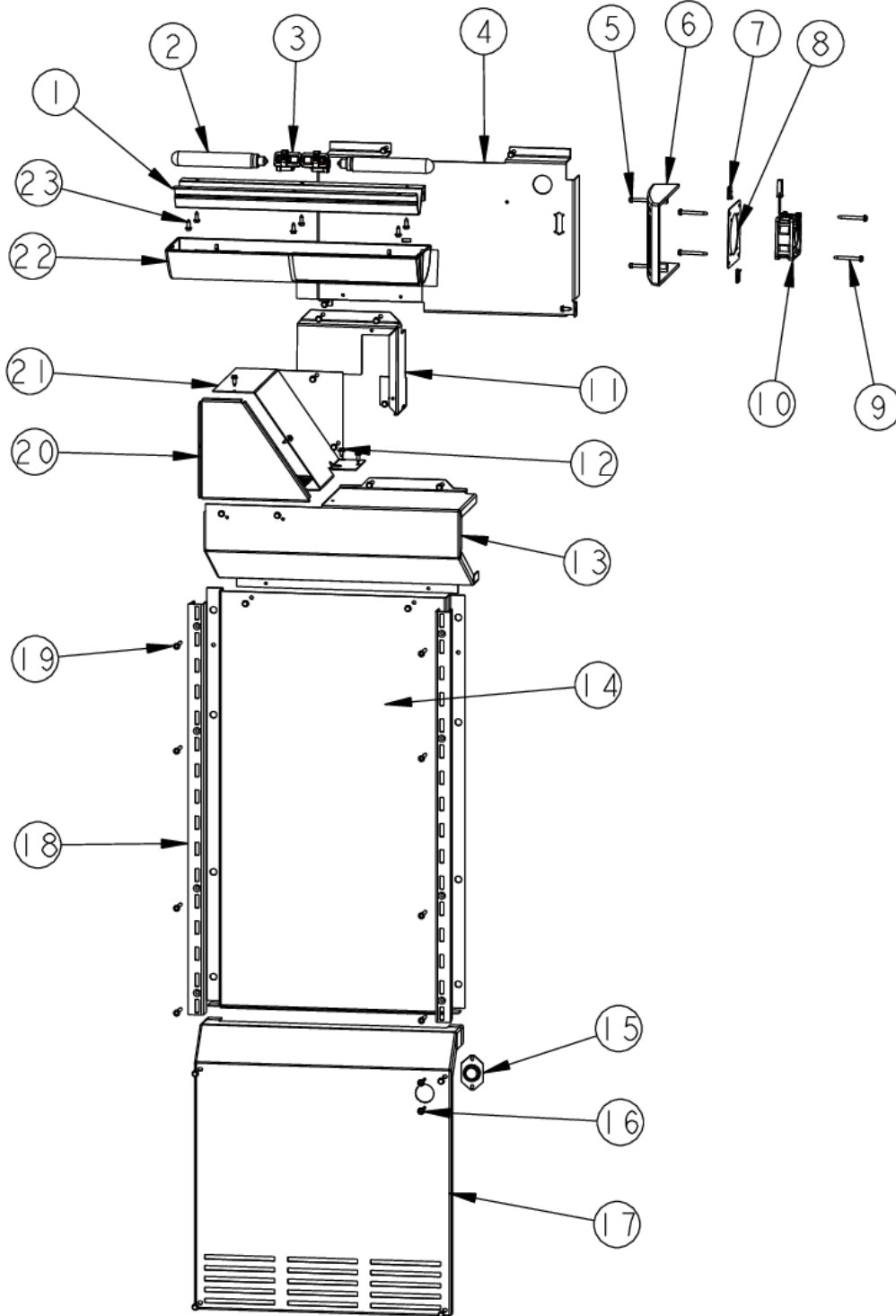
Item	Part No.	Name	Qty	Uom	NOTES
1	G5098660	FAN EVAP ASM PANASONIC	1	EA	
2	M0238859	SCREW-SHLDR	1	EA	
3	K2096458	BRKT-L-EVAP-FAN 12223102	1	EA	
4	058966-000	THERMOSTAT, SNAP ACTION, 55 OPEN 20 CLOSE	1	EA	
5	K2096457	BRKT-R-EVAP FAN 12223101	1	EA	
6	A3189370	GASKET-FOAM VA3189370	1	EA	
7	PM910206	EVAPORATOR SXS 48	1	EA	
8	10623003	CLIP-EVAP	1	EA	
9	K2096456	BRKT-EVAP CLIP 12215101	1	EA	
10	K2096461	BRKT-EVAP COVER 12234801	1	EA	
11	PD020194	SCR, HEX SRTD WSHR HD, #8- 18 X 1/2	1	EA	
12	10527401	CLIP-EVAP	1	EA	
13	10428101	CLIP-EVAP HTR V10428101	1	EA	
14	A3030303	GASKET	1	EA	
15	10629001	BLOCK-R AIR COIL RED	1	EA	
16	PJ910031	HEATER EVAP SXS	1	EA	
17	A3030361	GASKET RED	1	EA	

FREEZER COMPARTMENT





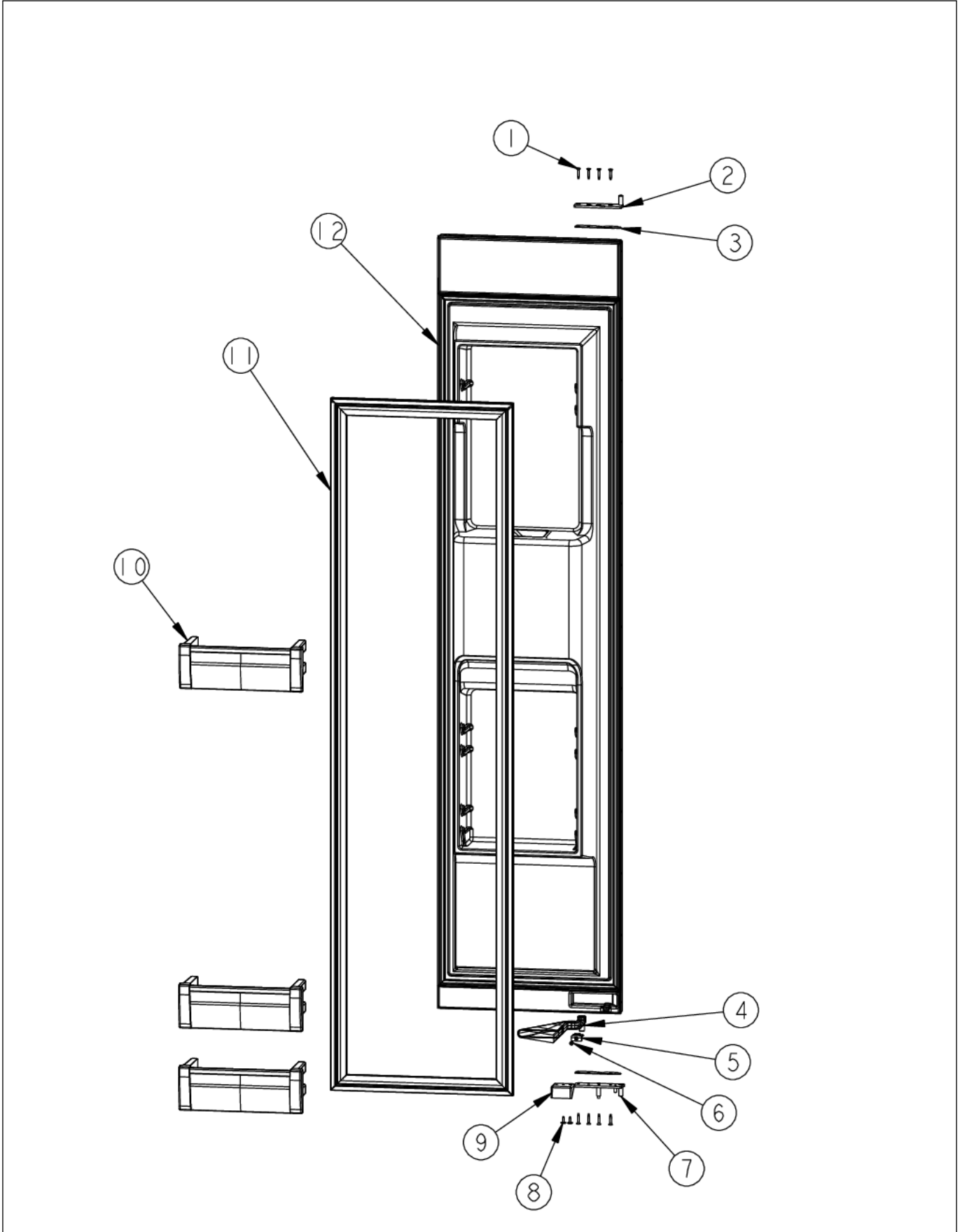
Item	Part No.	Name	Qty	Uom	NOTES
1	L2099475	BRACKET LIGHT SXS FZ	1	EA	
2	004528-000	LAMP, 40 WATT CLEAR LIGHT	1	EA	
3	PE950125	LIGHT SOCKET	1	EA	
4	L2097158WH	COVER UPPER EVAP	1	EA	
5	M0221913	SCREW-SM	1	EA	
6	PK930086	COVER FAN SXS 48 FZ	1	EA	
7	M0288120	NUT-SPEED VM0288120	1	EA	
8	K2096475	FAN MOUNTING PLATE	1	EA	
9	PD020188	SCR 8-18 BT HXWS 1 1/2	1	EA	
10	004551-000	AXIAL FAN	1	EA	
<p>Comments for Part Num. 004551-000</p> <p>gboltz@VikingRange.com on Jul 21, 2016</p> <p>View service bulletin TR-0052-SP before ordering fan, if applicable order kit instead of fan</p>					
11	L20914115	FAN BRACKET (FORMED)	1	EA	
12	PD920193	SCREW	1	EA	Not available online / Call for pricing and availability
13	L20910056	COVER EVAP MOTOR	1	EA	
14	L20910057	COVER CENTER EVAP	1	EA	
15	C8983701	THERMISTOR	1	EA	
16	M0211014	SCREW-SM	1	EA	Not available online / Call for pricing and availability
17	L20910054	COVER LOWER EVAP	1	EA	
18	PM910375	LADDER R/L FZ	1	EA	
19	M0238535	SCREW-SM	1	EA	
20	L20910075	COVER EVAP FAN	1	EA	
21	L20914114	FAN COVER (FORMED)	1	EA	
22	020117-000	COVER LIGHT ASM SXS 42 FZ	1	EA	
23	PD020194	SCR, HEX SRTD WSHR HD, #8-18 X 1/2	1	EA	
Not Shown	B5733302	CLIP-GROUND	1	EA	





Item	Part No.	Name	Qty	Uom	NOTES
Not Shown	M0580007	GROMMET-SCREW	1	EA	

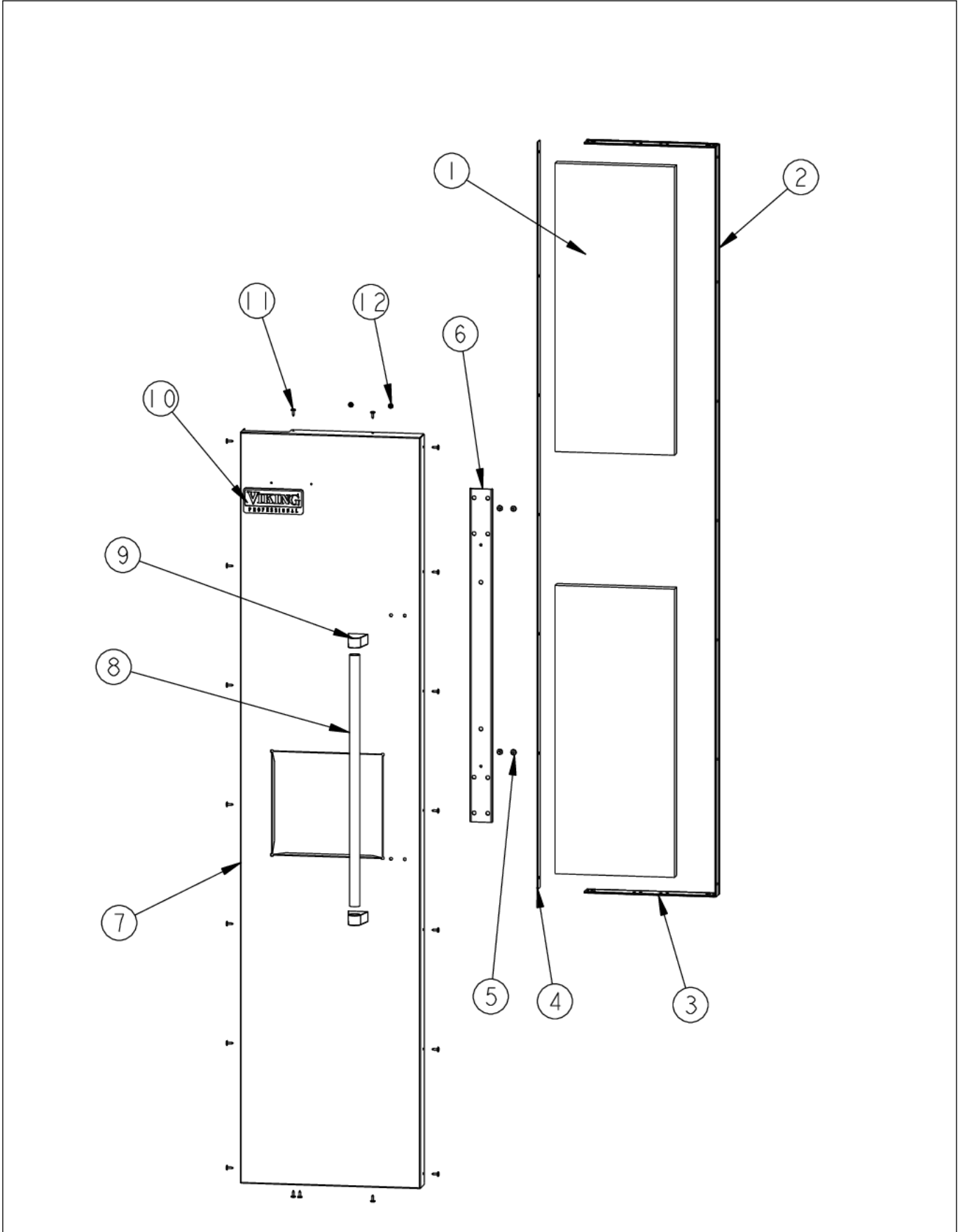
FREEZER DOOR FOAM AREA





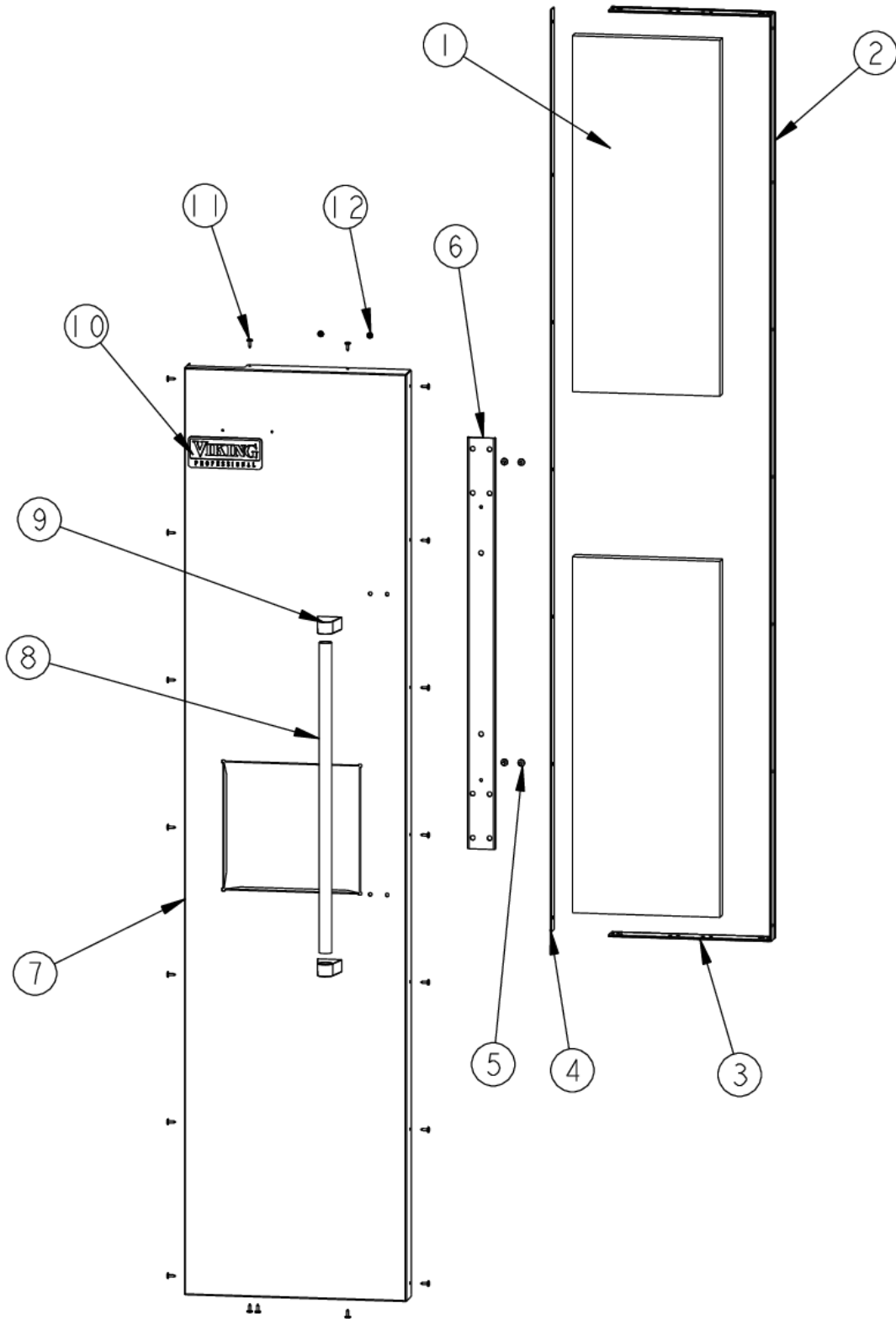
Item	Part No.	Name	Qty	Uom	NOTES
1	PD920174	10-32 TORX HEAD SCREW	1	EA	
2	PC020279	PIVOT PL ASM LH UP PRO/DES	1	EA	
3	PD040162	SPACER-DOOR HINGE	1	EA	
4	PK930297	ELBOW CHASE SXS DISP	1	EA	
5	PK930298	RETAINER ELBOW SXS DISP	1	EA	
6	M0215318	SCREW-SM	1	EA	
7	016182-000	PIVOT PL ASM LH LW PRO/DES	1	EA	
8	M0210458	SCREW-SM	1	EA	
9	PD050019	STRIKER DOOR SWITCH	1	EA	
10	036888-000	DOORBIN ASM SXS FZ	1	EA	
11	001942-000	SERV. GASKET FACE CHARGE	1	EA	
Not Shown	NOTE	(BEFORE 06-10-08)		EA	
11	005452-000	GASKET,ASM,42,SXS,FZ VID# 602711817-17	1	EA	
Not Shown	NOTE	(ON OR AFTER 06-10-08)		EA	
12	G32915036	DOOR ASM 42D FZ	1	EA	
Not Shown	NOTE	(Includes Gasket)		EA	

FREEZER DOOR SKIN AREA





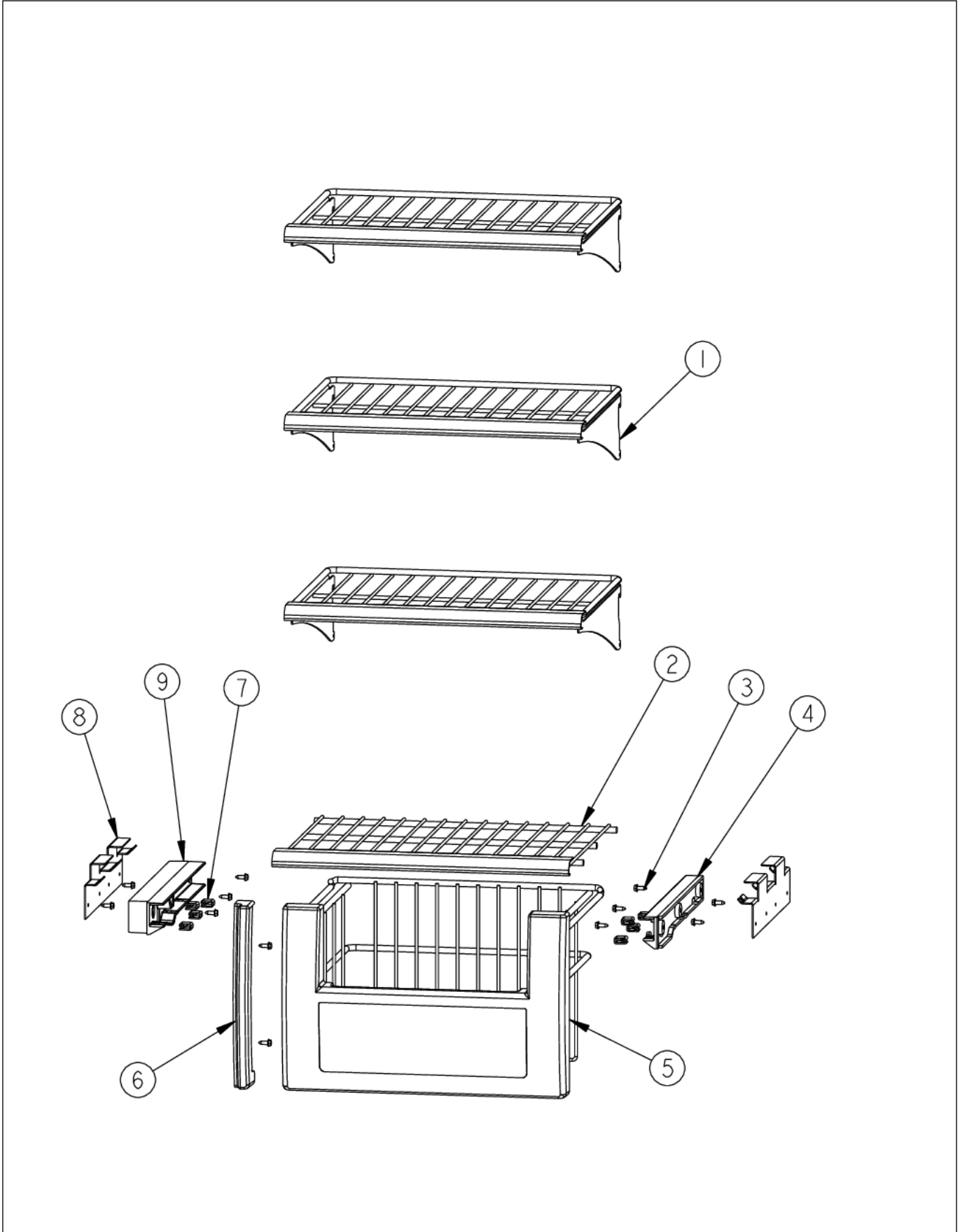
Item	Part No.	Name	Qty	Uom	NOTES
1	000657-000	BLOCK, EPS REF DOOR 42/48 SXS FZ PRO	1	EA	
2	PE940176	Door Trim - Side	1	EA	
3	056647-000	TRIM, FRZ, TOP/BTM, 42	1	EA	
4	014581-000	SPACER, TRIM, SXS, AF, AR	1	EA	
5	M0204303	SCREW-MACH	1	EA	
6	K2097526	Bracket, Handle Support (Frz.)	1	EA	
7	002555-000	SKIN, DOOR, 42 FZ PRO DISP SS	1	EA	
Not Shown	C90915915AL	DOOR SKIN 42 PRO FZ DISP	1	EA	NO LONGER AVAILABLE, Not available online / Call for pricing and availability
Not Shown	C90915915BK	DOOR SKIN 42 PRO FZ DISP	1	EA	Not available online / Call for pricing and availability
Not Shown	C90915915BT	DOOR SKIN 42 PRO FZ DISP	1	EA	NO LONGER AVAILABLE, Not available online / Call for pricing and availability
Not Shown	C90915915BU	DOOR SKIN 42 PRO FZ DISP	1	EA	NO LONGER AVAILABLE
Not Shown	C90915915CB	DOOR SKIN 42 PRO FZ DISP	1	EA	Not available online / Call for pricing and availability
Not Shown	C90915915CH	DOOR SKIN 42 PRO FZ DISP	1	EA	NO LONGER AVAILABLE, Not available online / Call for pricing and availability
Not Shown	C90915915EP	DOOR SKIN 42 PRO FZ DISP	1	EA	NO LONGER AVAILABLE, Not available online / Call for pricing and availability
Not Shown	C90915915FG	DOOR SKIN 42 PRO FZ DISP	1	EA	NO LONGER AVAILABLE, Not available online / Call for pricing and availability
Not Shown	C90915915GG	DOOR SKIN 42 PRO FZ DISP	1	EA	NO LONGER AVAILABLE





Item	Part No.	Name	Qty	Uom	NOTES
Not Shown	C90915915LE	DOOR SKIN 42 PRO FZ DISP	1	EA	NO LONGER AVAILABLE, Not available online / Call for pricing and availability
Not Shown	C90915915MJ	DOOR SKIN 42 PRO FZ DISP	1	EA	NO LONGER AVAILABLE, Not available online / Call for pricing and availability
Not Shown	C90915915SG	DOOR SKIN 42 PRO FZ DISP	1	EA	NO LONGER AVAILABLE, Not available online / Call for pricing and availability
Not Shown	C90915915VB	DOOR SKIN 42 PRO FZ DISP	1	EA	NO LONGER AVAILABLE, Not available online / Call for pricing and availability
Not Shown	L20915915WH	DOOR SKIN 42 PRO FZ DISP	1	EA	NO LONGER AVAILABLE, Not available online / Call for pricing and availability
8	PE930101	VCSB482 HANDLE -(12466403)	1	EA	
Not Shown	PE030173PVD	BRASS HANDLE	1	EA	Not available online / Call for pricing and availability
9	000268-000	HANDLE ENDCAP	1	EA	
Not Shown	PE030001PVD	END CAP DOOR HANDLE *BR	1	EA	
10	PE010030	LOGO	1	EA	
Not Shown	PE010068	LOGO 6" (VGRC) BK/BR	1	EA	
Not Shown	PE010031	LOGO 6" (VGRC) *BK/WH*	1	EA	NO LONGER AVAILABLE
Not Shown	PE010076	LOGO 6" (VGRC) *BR/WH*	1	EA	NO LONGER AVAILABLE
11	M0210458	SCREW-SM	1	EA	
12	PD030006	CAPPED WASHER PAL NUT	1	EA	

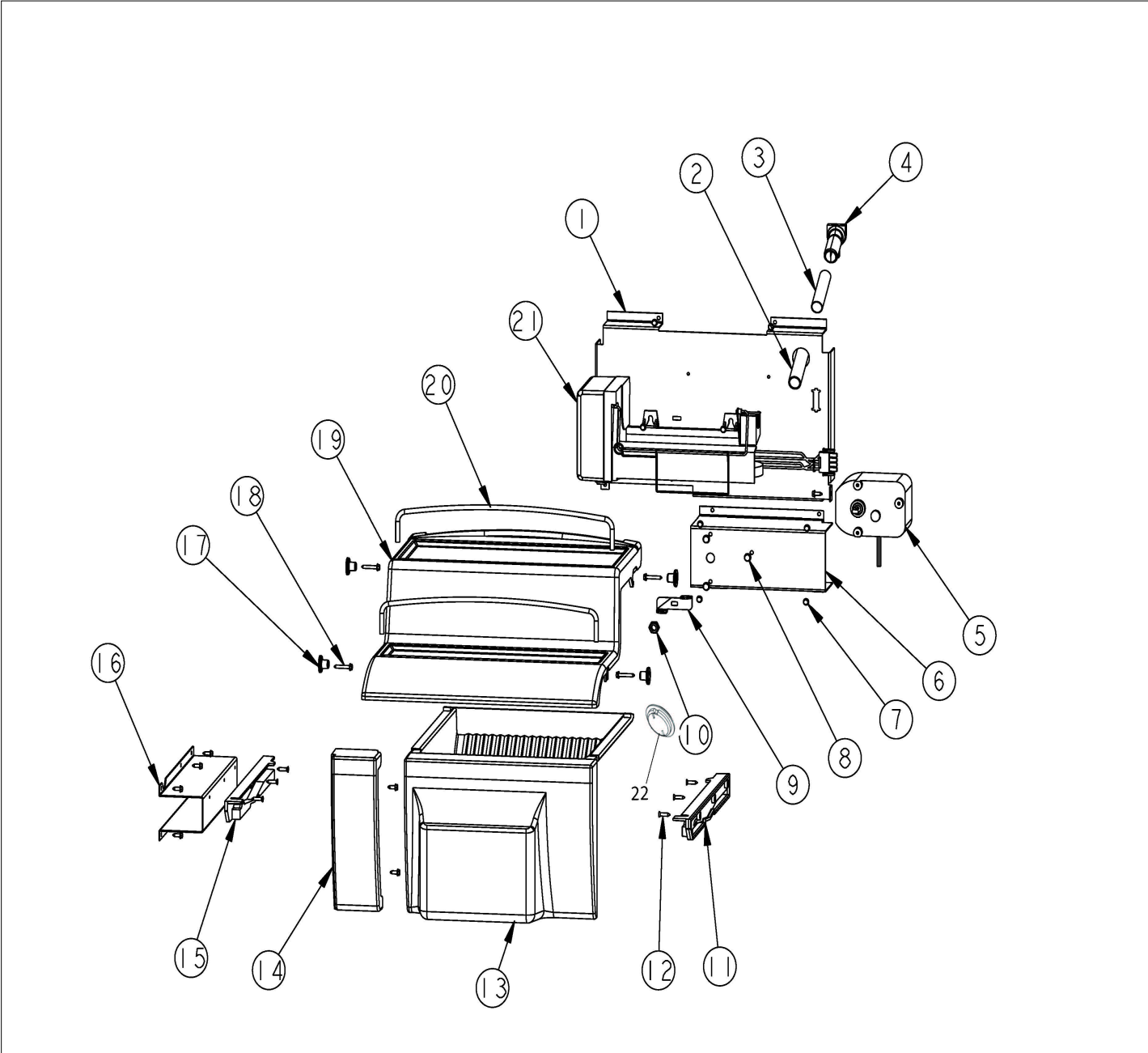
FREEZER SHELVING





Item	Part No.	Name	Qty	Uom	NOTES
1	PM910411	SHELF WIRE AF 36	1	EA	
2	PM910231	FZ FIXED BASKET ASSEMBLY	1	EA	
3	PD020194	SCR, HEX SRTD WSHR HD, #8-18 X 1/2	1	EA	
4	PK930074	GLIDE SXS 48 FZ R	1	EA	
5	PM910190	BASKET ASM FZ	1	EA	
6	PK930107	FZ BASKET SIDE SPACER FRONT	1	EA	
7	12064701	PAD-GLIDE V12064701	1	EA	
8	L20910067	BRACKET SHELF FZ	1	EA	
9	PK930075	GLIDE SXS 48 FZ L	1	EA	

ICE MAKER AREA





Item	Part No.	Name	Qty	Uom	NOTES
1	L2097158WH	COVER UPPER EVAP		EA	
2	015813-000	EXT FILL TUBE		EA	
3	029418-000	FILL TUBE DISP		EA	
4	10276601	ELBOW-FILLER TUBE		EA	
NI	G5096419	FILL TUBE ASSY		EA	

Comments for Part Num. G5096419

bradleysapplianceservice@shaw.ca on May 11, 2018

This part G5096419 does NOT come with the aluminum tube.

If aluminum tube is required, order 005899-000 and cut to size.

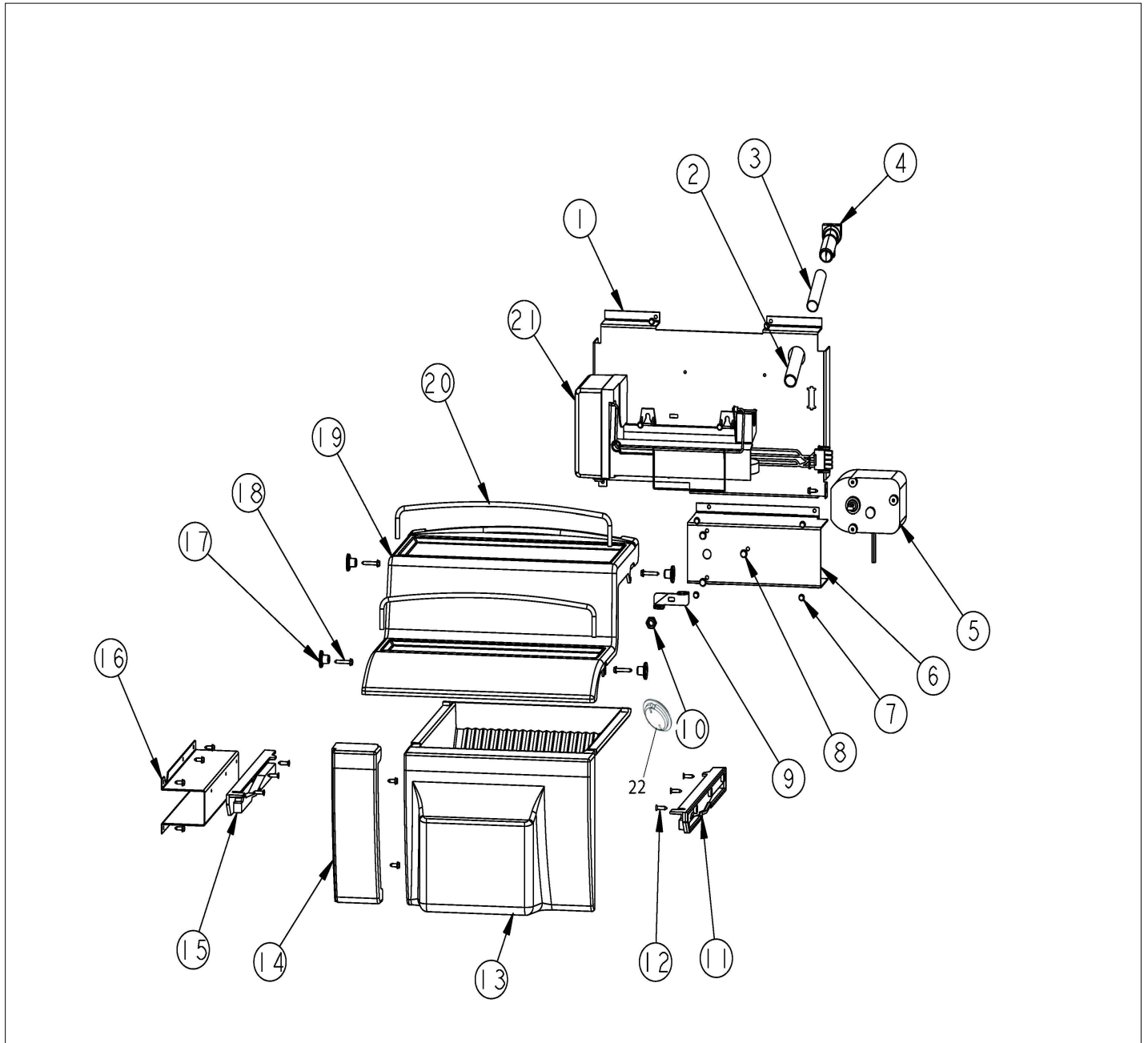
Not Shown	NOTE	(Includes Items #3 and #4)		EA	
5	PE950158	Motor Auger		EA	
6	C90914113WH	BRACKET - AUGER MOTOR (WH)		EA	
7	PD020194	SCR, HEX SRTD WSHR HD, #8-18 X 1/2		EA	
8	PD020191	SCR. #10 PLAS HXW 1/2 S		EA	
9	B20911863	Driver- Ice Bucket RNG		EA	
10	M0223101	NUT LOCKING		EA	
11	PK930265	GLIDE R FZ		EA	
12	M0213503	SCREW, SM		EA	
13	019144-000	ICE BUCKET ASM		EA	

Comments for Part Num. 019144-000

gboltz@VikingRange.com on Mar 28, 2017

See parts bulletin 2017-03P ice bucket helix replacement

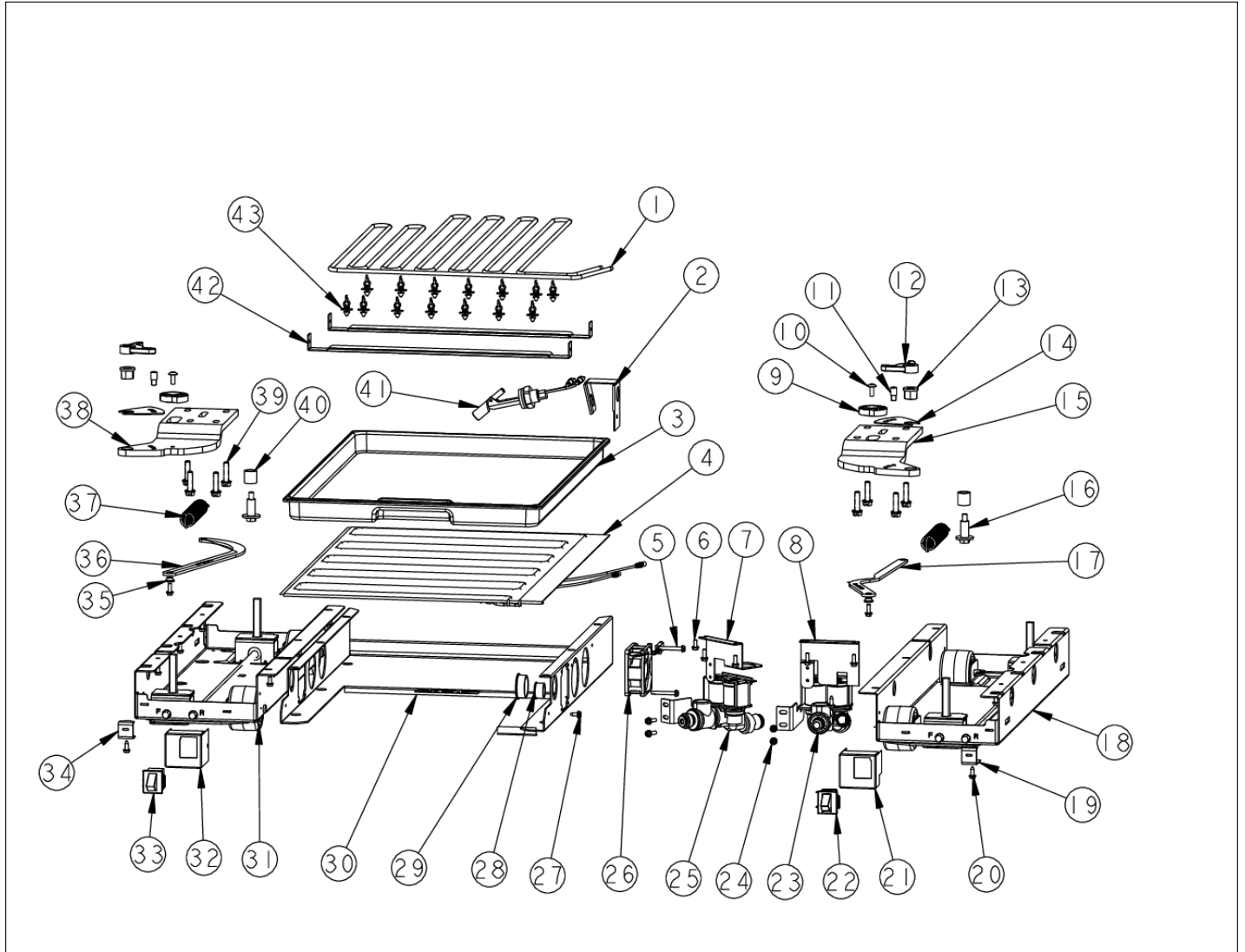
14	PK930096	CLOSEOUT - ICE DISPENSER		EA	
15	PK930266	GLIDE L FZ		EA	
16	C90910027WH	SUPPORT LS ICE BUCKET		EA	
17	12258501	SUPPORT-SHELF		EA	
18	M0211021	SCREW-SM		EA	
19	PK930264	SHELF COVER		EA	
20	PM910435	RETAINER WIRE		EA	
21	043156-000	ICEMAKER ASSEMBLY		EA	





Item	Part No.	Name	Qty	Uom	NOTES
22	PM910331C	CAP,HELIX		EA	

LOWER UNIT AREA





Item	Part No.	Name	Qty	Uom	NOTES
1	F20915693	SERPENTINE CONDENSER DRAIN ALL SXS'S	1	EA	
2	B20915627	BRACKET HORIZ FLOAT SWITCH	1	EA	
3	PK930348	PAN DRAIN	1	EA	
4	G50911853	TRAY PAN HEATER	1	EA	
5	PD020274	SCR SLTD HEX WSHR HD 8X1.250 BT	1	EA	
6	PD020010	10 X 3/8 GREEN GROUNDING SCREW	1	EA	
7	K20914175	BRACKET, DUAL VALVE, J.G. INLET	1	EA	
8	K20913790	BRKT VALVE H2O DUAL	1	EA	
9	044370-000	CAM DOOR ADJUSTMENT (SXS)	1	EA	
10	PD020234	SCREW THP 10-32 X .500 SS BO	1	EA	
11	PC920145	PIN - DOOR STOP	1	EA	
12	PD940091	BUSHING - DOOR STOP	1	EA	
13	PD940090	BUSHING - WC DOOR LEVEL	1	EA	
14	PC920144	PLATE - WC DOOR SHIM	1	EA	
15	PC020288	HINGE PLATE LR	1	EA	
16	M0221523	SCREW - SHLDR	1	EA	
17	PC920166	HINGE ASM COMPLETE RR	1	EA	
18	060890-000	LEVELER MODULE R	1	EA	
19	K2098044	BRKT GRILLE SUPPORT	1	EA	
20	PD020194	SCR, HEX SRTD WSHR HD, #8-18 X 1/2	1	EA	
21	002667-000	SWITCH,GRILLE,MT,RH	1	EA	
22	PE950147	SWITCH SPST NC BLACK	1	EA	

Comments for Part Num. PE950147

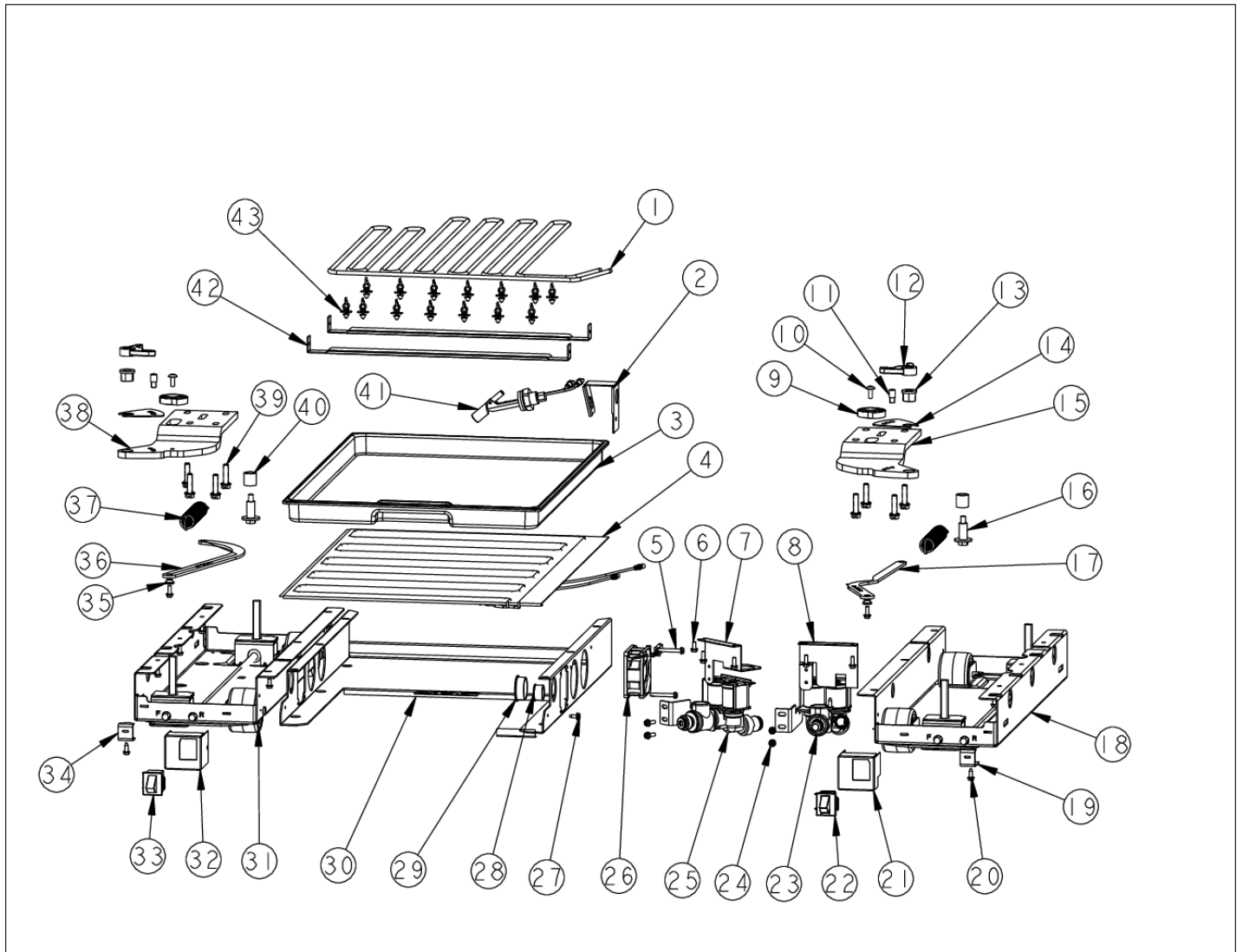
bradleysapplianceservice@shaw.ca on May 1, 2017

CAUTION WHEN ORDERING DOOR SWITCH. PARTS LISTINGS COULD BE INCORRECT.

THERE IS TWO VERSIONS OF THIS DOOR SWITCH THAT NEEDS TO BE VISUALLY CHECKED ON UNIT TO DETERMINE CORRECT PART.

PE950146 DOOR SWITCH 3 WIRE SPDT BLACK

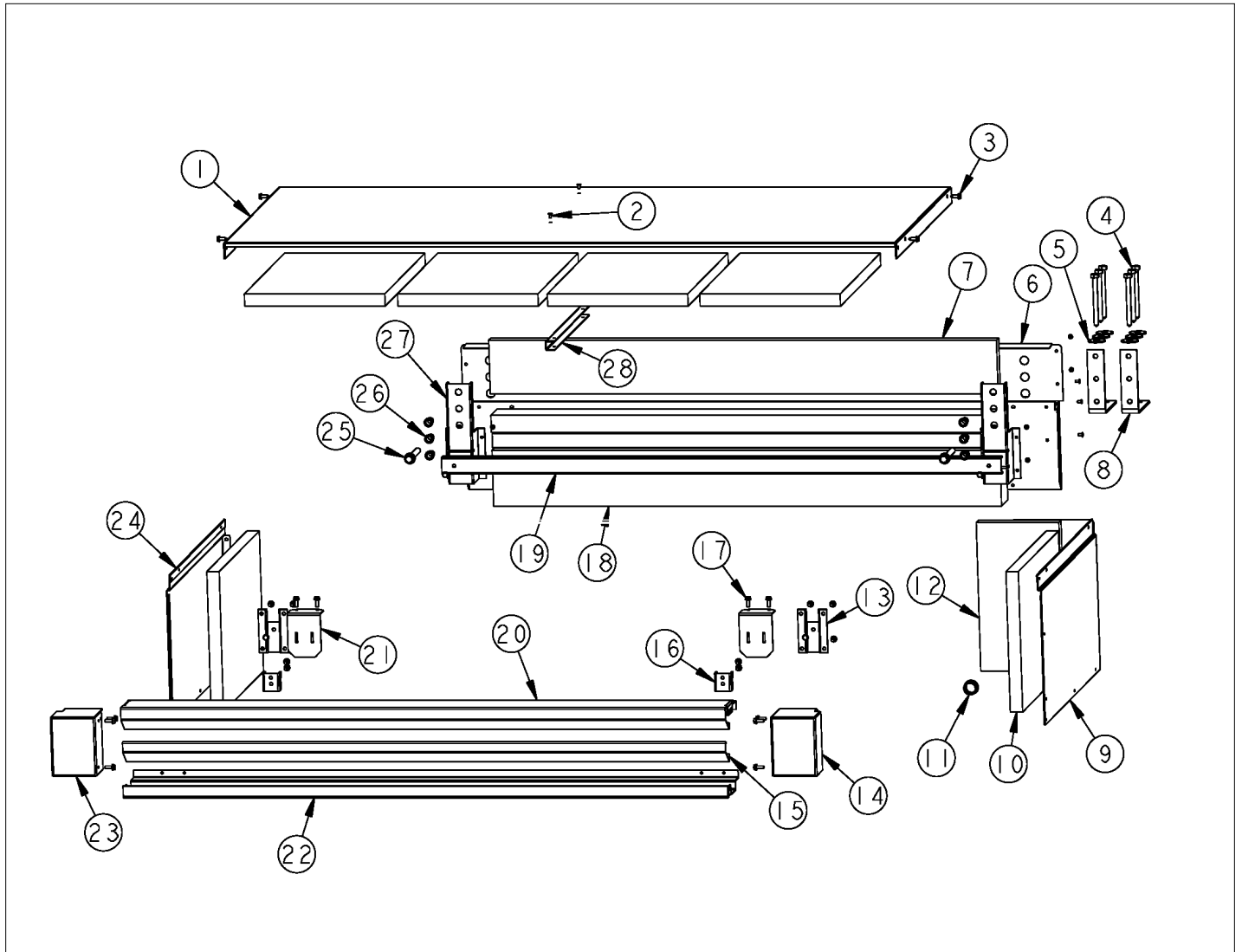
PE950147 DOOR SWITCH 2 WIRE SPST BLACK





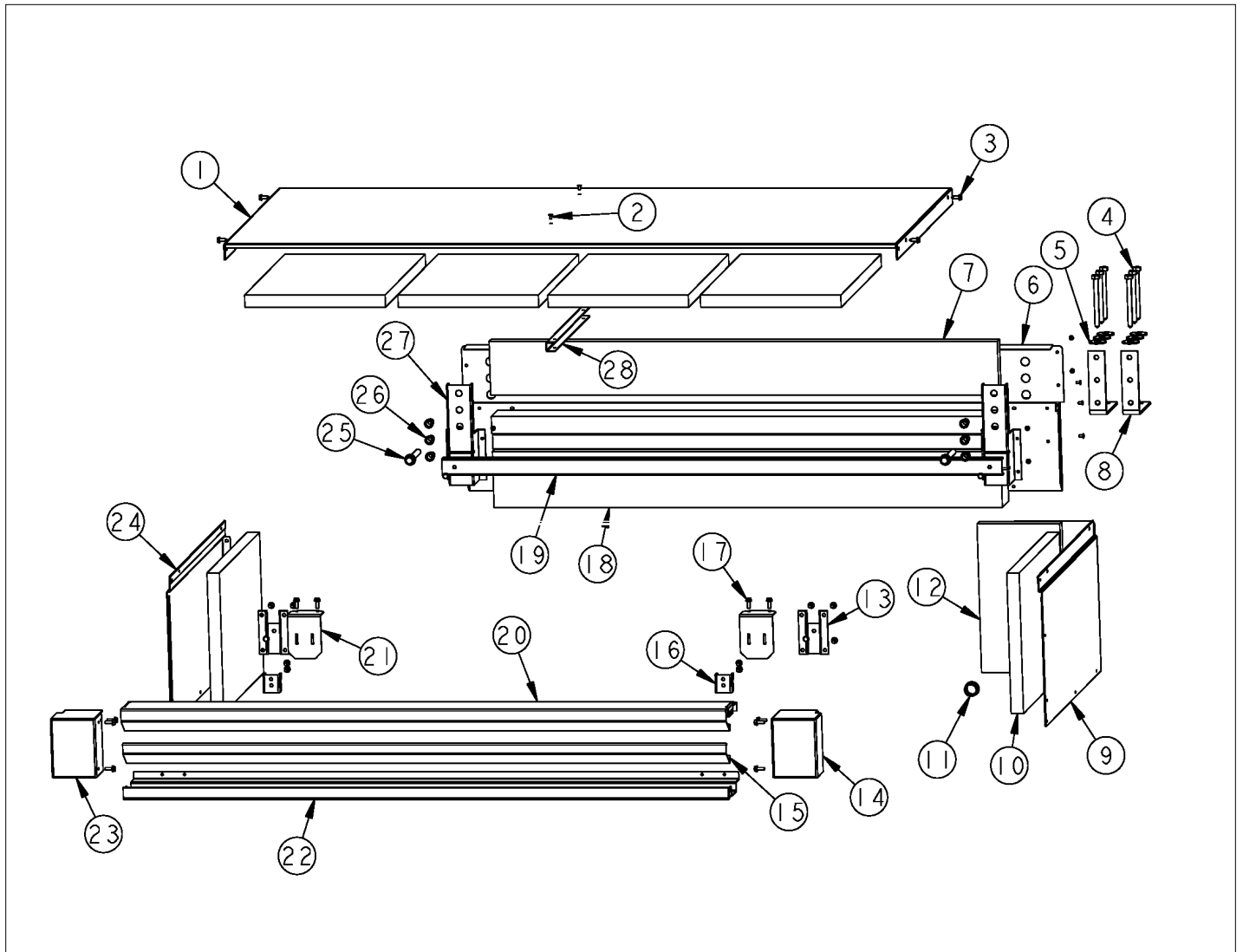
Item	Part No.	Name	Qty	Uom	NOTES
23	PA070014	WATER VALVE	1	EA	
24	M0220417	SCREW-TC	1	EA	
25	G50911843	WATER VALVE KIT	1	EA	
26	004551-000	AXIAL FAN	1	EA	
Comments for Part Num. 004551-000					
gboltz@VikingRange.com on Jul 21, 2016					
View service bulletin TR-0052-SP before ordering fan, if applicable order kit instead of fan					
27	M0253916	SCR 8-32 SHXW 3/8 TRI-LOBE	1	EA	
28	A4554806	BUSHING-SNAP VA4554806	1	EA	
29	A4554817	BUSHING-SNAP VA4554817	1	EA	
30	K20915952	SHIELD BOTTOM DRAIN	1	EA	
31	060891-000	LEVELER MODULE L	1	EA	
32	002668-000	SWITCH,GRILLE,MT,LH	1	EA	
33	PE950146	SPDT SWITCH	1	EA	
34	K2098096	BRKT GRILLE SUPPORT	1	EA	
35	PD940094	BUSHING	1	EA	
36	PC920149	BAR-WC BOT HINGE LH	1	EA	
37	PC910015	SPRING EXTENSION	1	EA	
38	PC020289	HINGE PLATE LL	1	EA	
39	000570-000	FASTENER, BOLT, 1/4-20 IHXWS 1" S ZN SER	1	EA	
40	PD940107	ROUND SPRING SPACER	1	EA	
41	PE050248	FLOAT SWITCH HORIZONTAL	1	EA	
42	K20911831	BRACKET CONDENSATE SUPPORT	1	EA	
43	PD030146	STAND OFF LOCK CLIP	1	EA	

MC COVER AND GRILLE AREA





Item	Part No.	Name	Qty	Uom	NOTES
1	K2099458	MC TOP SXS 42	1	EA	
2	PC040010	POP RIVET (.063/GR -.125) GAMD42-A	1	EA	
3	PD020194	SCR, HEX SRTD WSHR HD, #8- 18 X 1/2	1	EA	
4	M0223509	SCREW-LAG	1	EA	
5	M0270510	WASHER #	1	EA	
6	K2099461	MC BACK 42	1	EA	
7	PB070360	INSULATION MC COVER	1	EA	
8	PK910089	BRACKET, ANTI - TIP	1	EA	
9	K2099459	MC SIDE (RIGHT)	1	EA	
10	PB070355	INSULATION MC COVER	1	EA	
11	A4554806	BUSHING-SNAP VA4554806	1	EA	
12	PB970171	MC INSULATION - BACK SIDE	1	EA	Not available online / Call for pricing and availability
13	PK050004	BRACKET GRILLE 5 SERIES	1	EA	
14	B20911817	GRILLE ENDCAP PRO R	1	EA	
15	B20913080	GRILLE LOUVER MIDDLE SXS 42 PRO	1	EA	
16	B2096961	BRACKET-LOUVER	1	EA	
17	M0220417	SCREW-TC	1	EA	
18	PB070361	INSULATION MC COVER	1	EA	
19	K20915903	CROSSMEMBER PSM 42	1	EA	Not available online / Call for pricing and availability
20	B20913078	GRILLE LOUVER TOP SXS 42 PRO	1	EA	Not available online / Call for pricing and availability
21	B2096962	BRACKET-LOUVER SUP	1	EA	
22	B20913082	GRILLE LOUVER BOTTOM SXS 42 PRO	1	EA	NO LONGER AVAILABLE
23	B20911816	GRILLE ENDCAP PRO L	1	EA	
24	K2099460	MC SIDE L	1	EA	
25	PD020233	SCR LAG 5/16-9 GX 5/16X7/16 WAF IHXW 3 S ZN	1	EA	
26	PD040157	BEARING SLEEVE	1	EA	

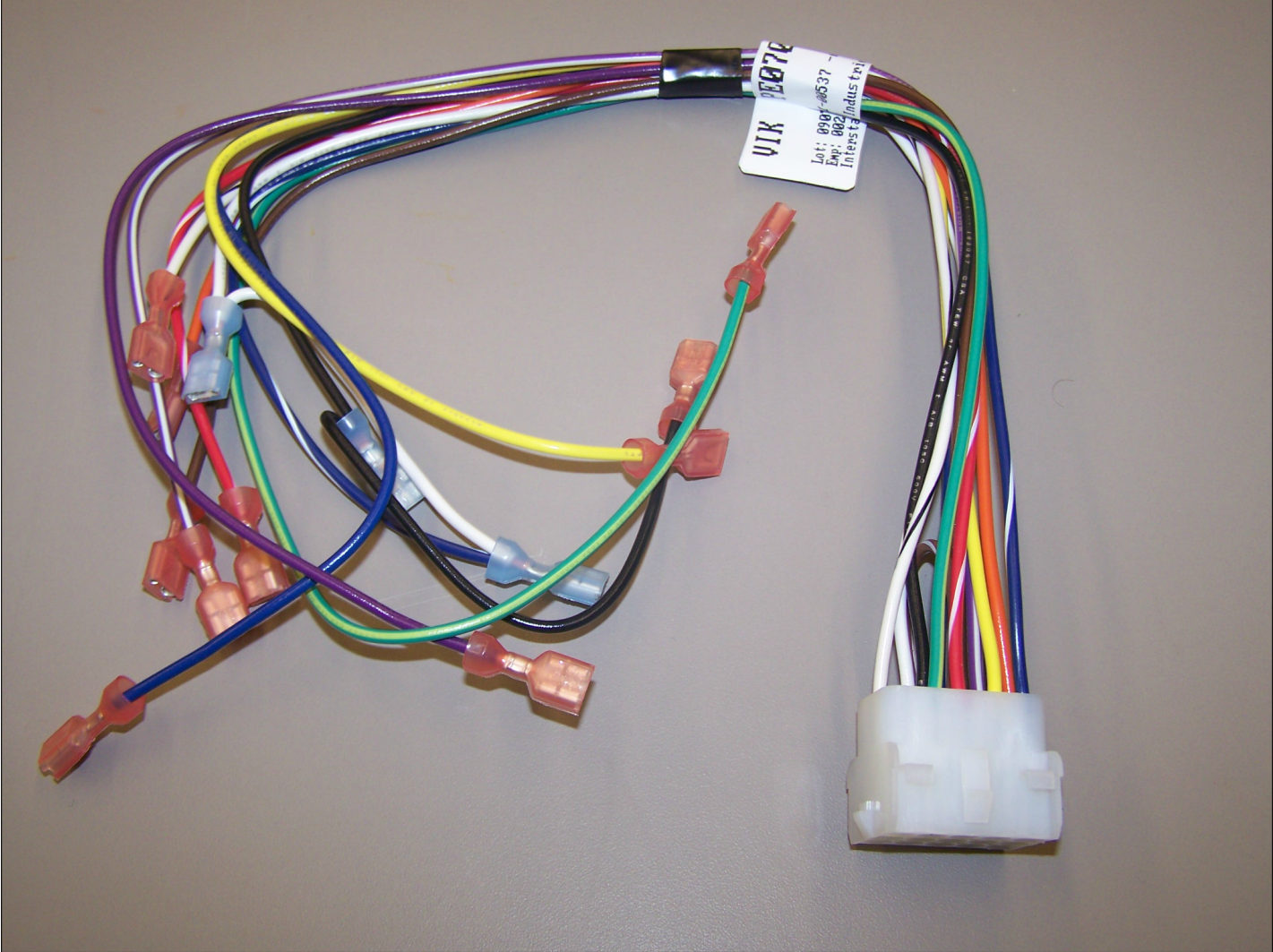




Item	Part No.	Name	Qty	Uom	NOTES
27	K20915675	BRACKET PSM	1	EA	
28	K2099455	SUPPORT MC Z	1	EA	



PE070785 HIGH VOLT HARNESS

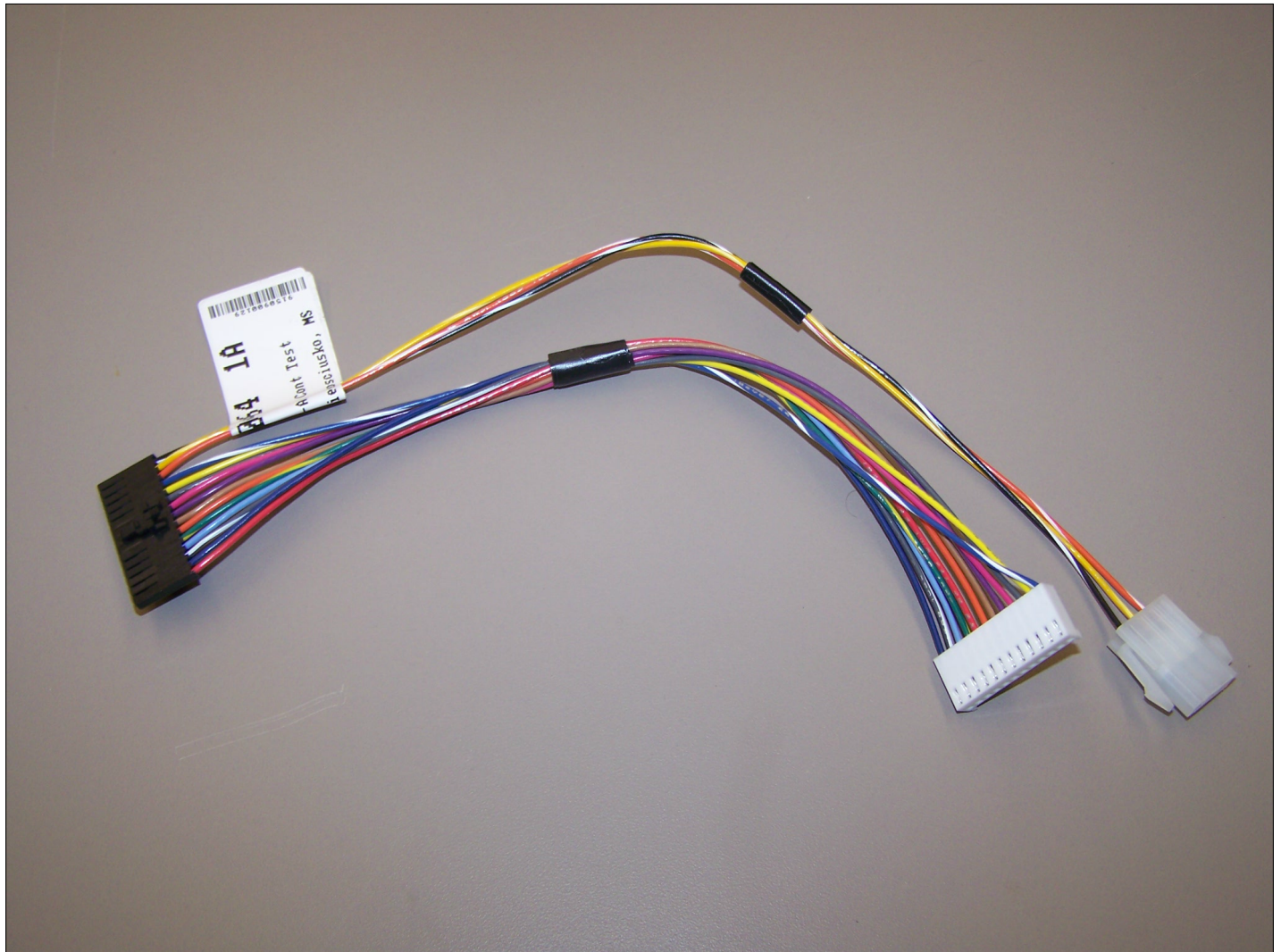




Item	Part No.	Name	Qty	Uom	NOTES
1	PE070785	Harness, High Voltage Board	1	EA	



PE970464 LOW VOLT HARNESS

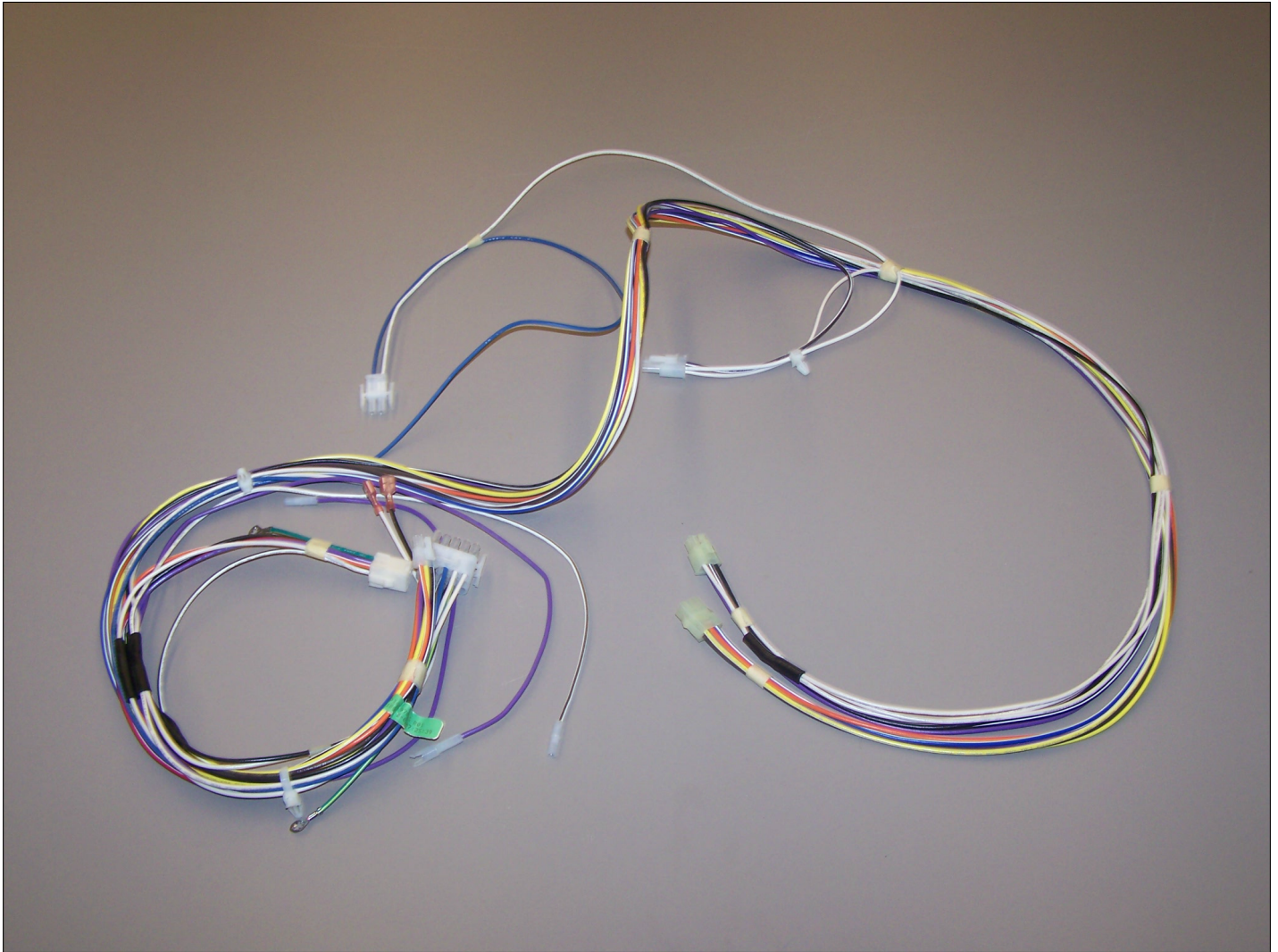




Item	Part No.	Name	Qty	Uom	NOTES
1	PE970464	HARNESS LOW VOLT 5 SERIES	1	EA	



PE970595 MACHINE HARNESS

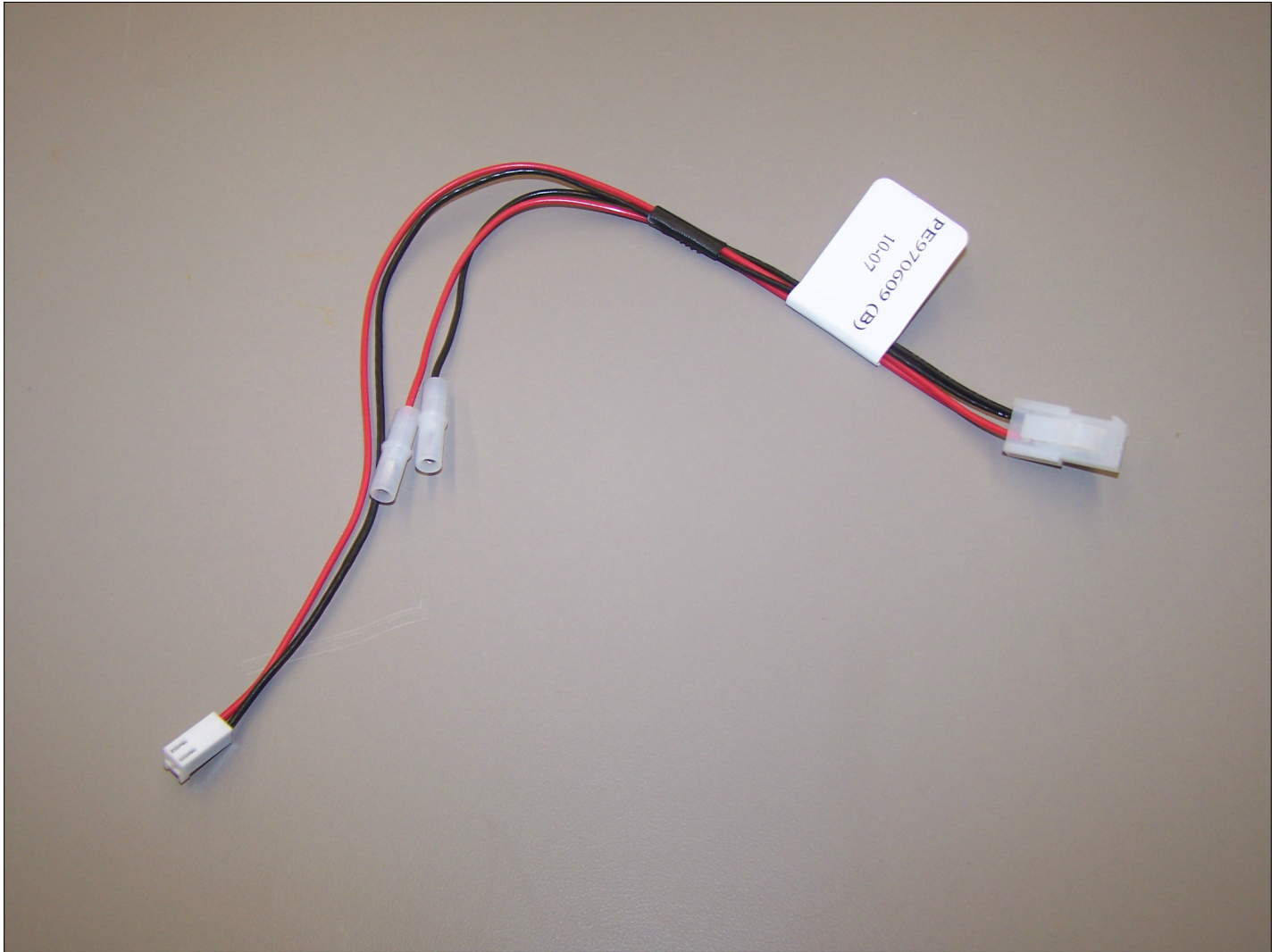




Item	Part No.	Name	Qty	Uom	NOTES
1	PE970595	HARNESS MACH SXS	1	EA	



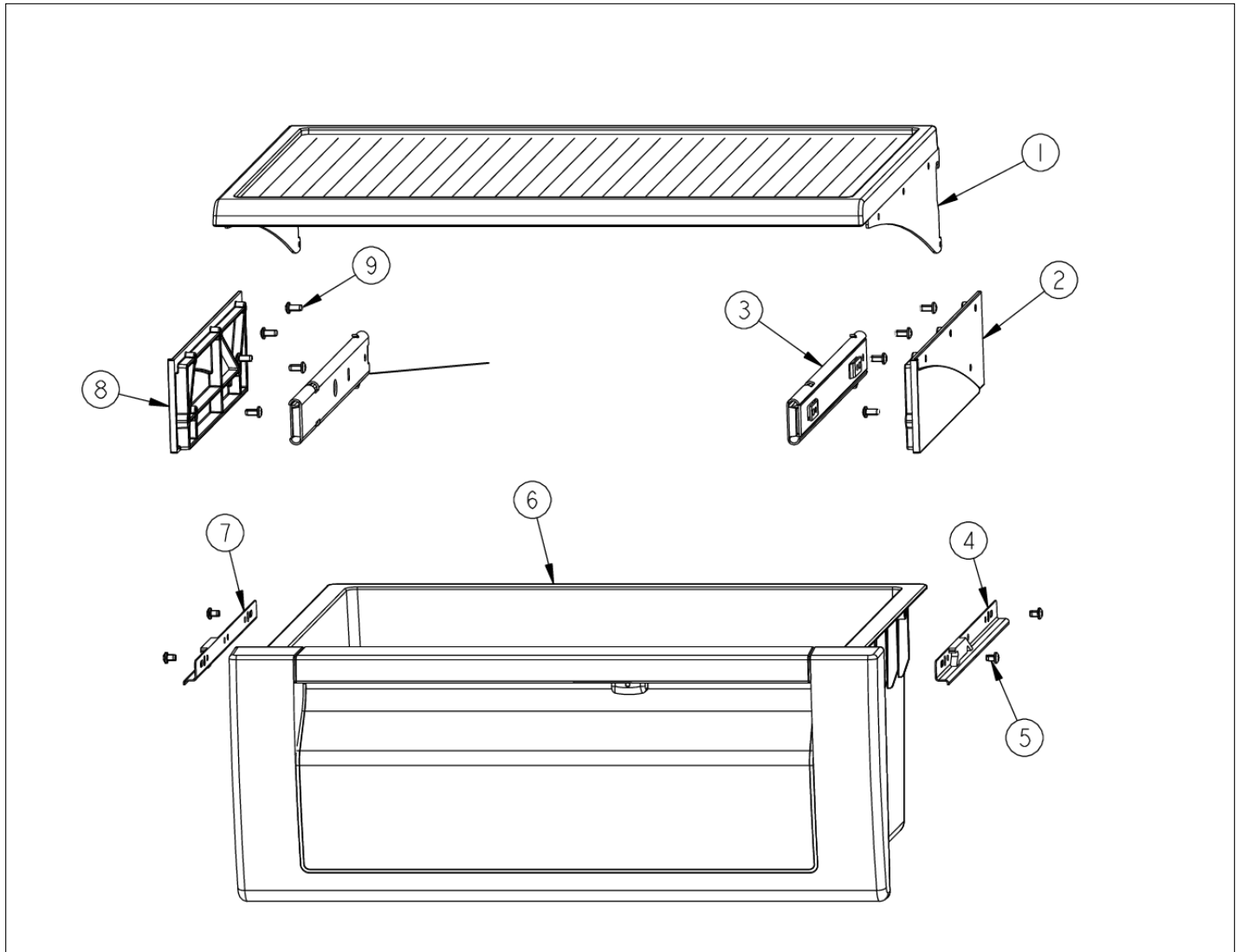
PE970609 CONTROL BOARD HARNESS





Item	Part No.	Name	Qty	Uom	NOTES
1	PE970609	HARNESS CONTROL BOARD 5 SERIES	1	EA	

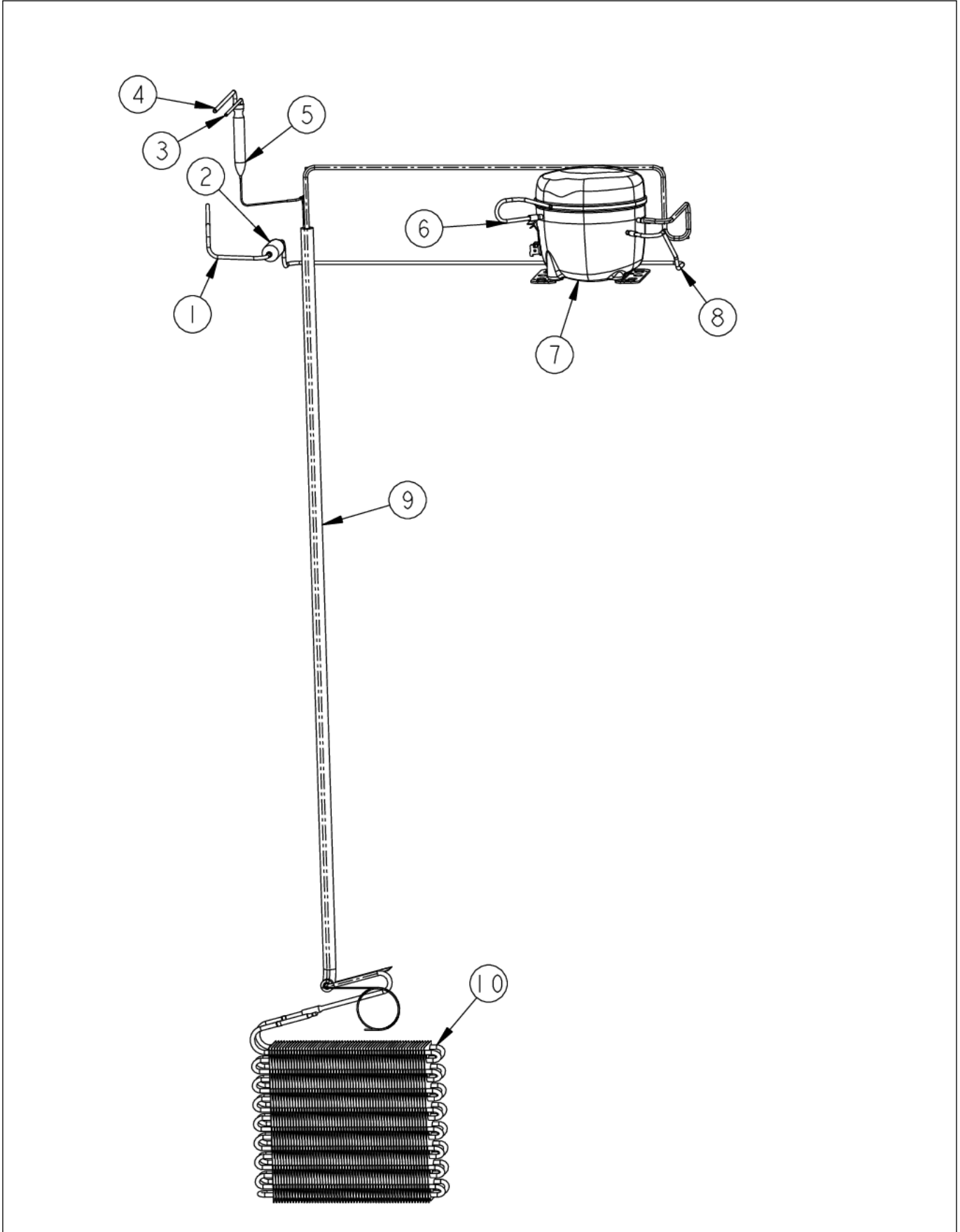
PRODUCE DRAWER





Item	Part No.	Name	Qty	Uom	NOTES
1	043623-000	SHELF ASM GLASS 42 FF	1	EA	
2	044214-000	SUPPORT SLIDER R	1	EA	
3	046235-000	SLIDE, DWR, SOFT CLOSE-RH	1	EA	
4	PM910343	RAIL DRAWER R	1	EA	
5	PD920162	SCR 8-16 PLASTITE PNP 1/4 S	1	EA	
6	009927-000	PRODUCE 42	1	EA	
7	PM910342	RAIL DRAWER L	1	EA	
8	044219-000	SUPPORT SLIDER L	1	EA	
9	PD920161	SCR 8-16 PLASTITE PNP 3/8 S	1	EA	
10	046255-000	SLIDE, DWR, SOFT CLOSE, LH	1	EA	

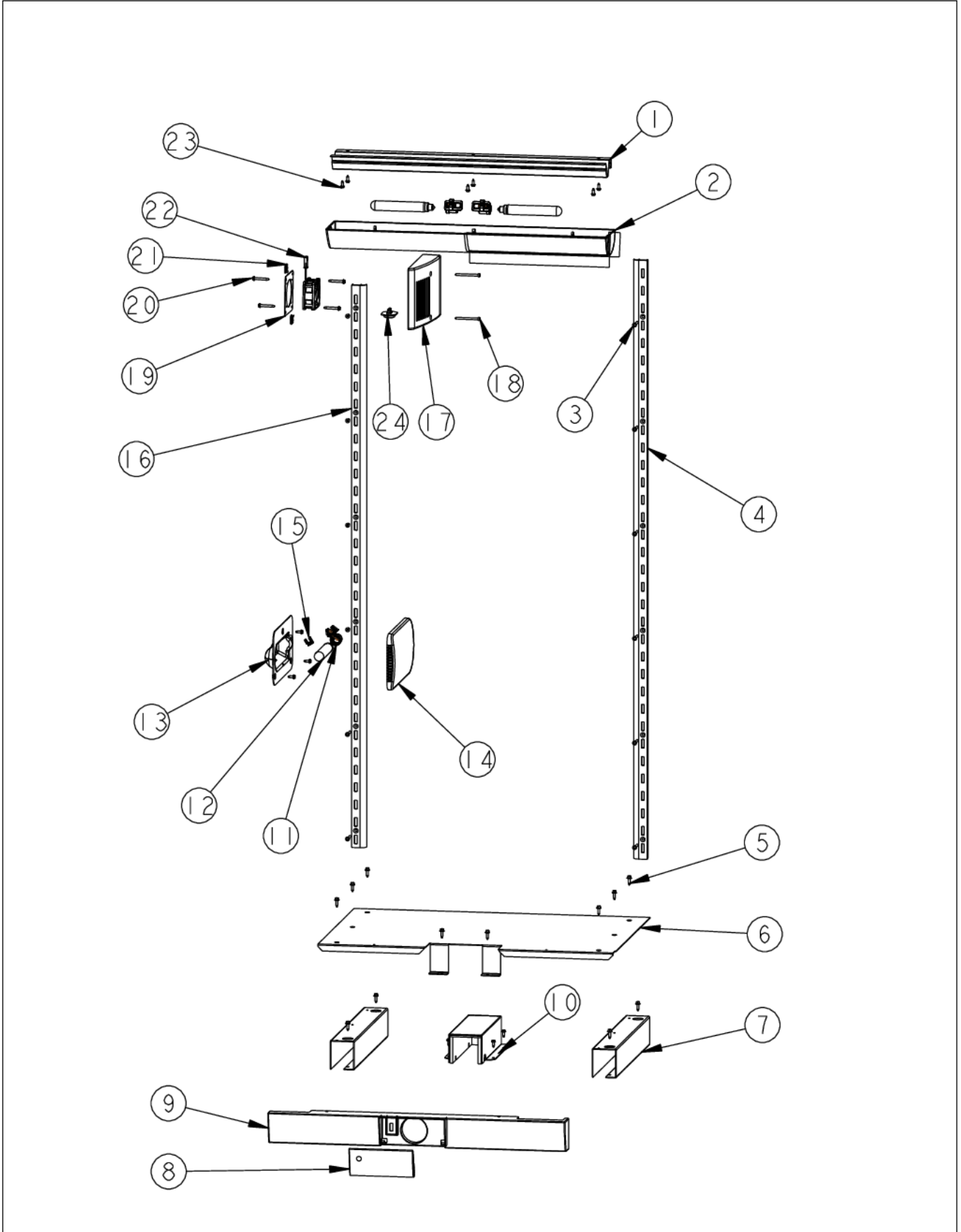
REFRIGERANT SYSTEM





Item	Part No.	Name	Qty	Uom	NOTES
1	F2099444	TUBE DISCHARGE FORMED POST ACCUM	1	EA	
2	PB920201	ACCUMULATOR	1	EA	
3	F2096504	TUBE-DRIER EXT	1	EA	
4	F2097740	TUBE PROCESS	1	EA	
5	PM010616	DRIER - HIGH SIDE	1	EA	
6	F2096507	TUBE-PROCESS GRN	1	EA	
7	G5097976	Compressor Assembly (Includes Drier)	1	EA	
8	F2099443	TUBE DISCHARGE FORMED PRE ACCUM	1	EA	
9	053308-000	HEAT EXCHANGER ASM SXS 42	1	EA	
10	PM910206	EVAPORATOR SXS 48	1	EA	

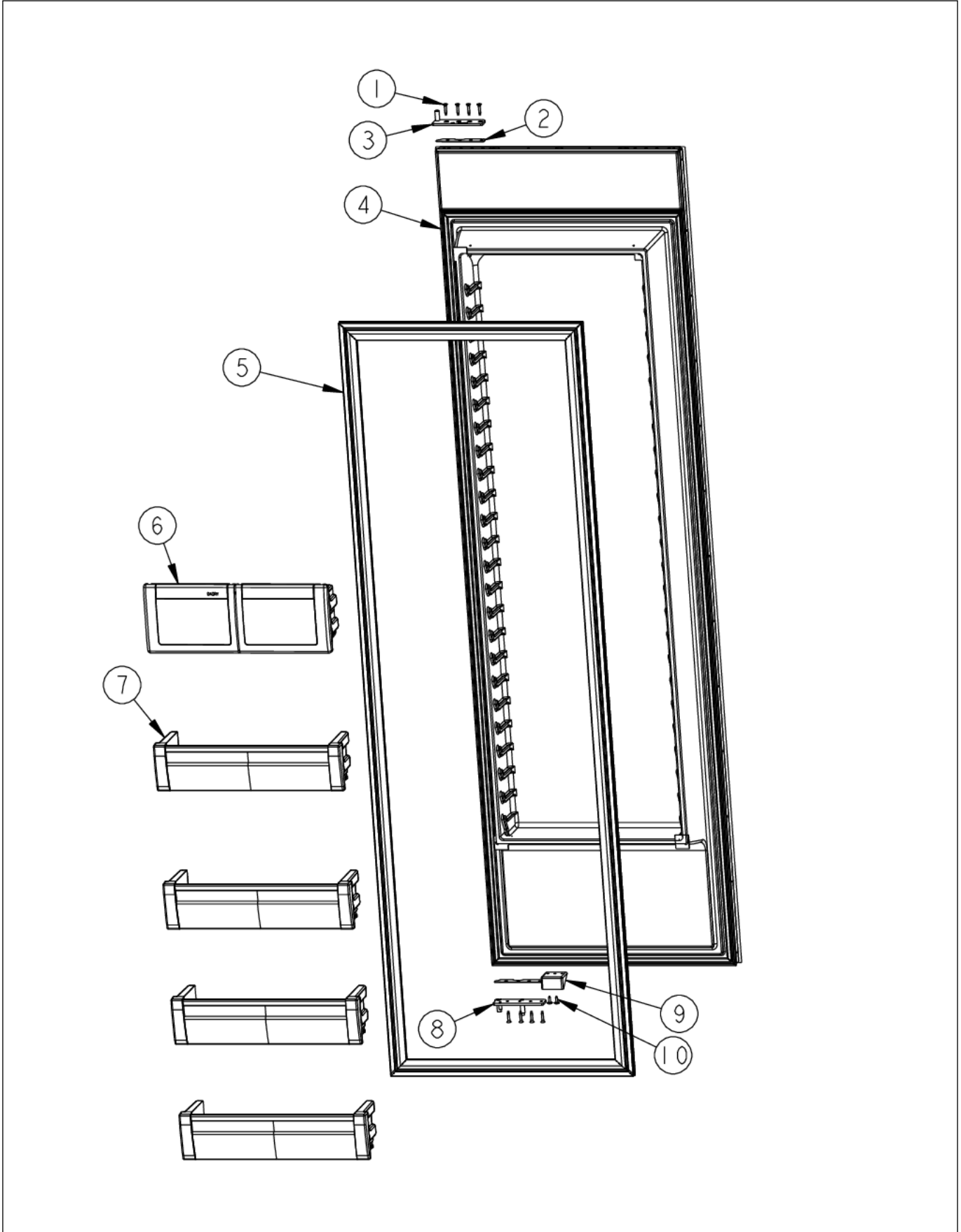
REFRIGERATOR COMPARTMENT





Item	Part No.	Name	Qty	Uom	NOTES
1	L2099474	BRACKET LIGHT SXS 42 FF	1	EA	Not available online / Call for pricing and availability
2	PK930115	COVER LIGHT ASM SXS 42 FF	1	EA	
3	M0238535	SCREW-SM	1	EA	
4	PM910227	LADDER RS REF	1	EA	
5	PD020195	SCR 8-18 X 5/8	1	EA	
6	L2099251	Floor False 42 SxS disp	1	EA	
7	K20913096	BRACKET FALSE FLOOR	1	EA	
8	PK930313	COVER WATER FILTER SXS DISP	1	EA	
9	PK930237	COVER FALSE FRONT 42 SXS DISP	1	EA	
10	G50913708	ASM COVER WATER FILTER	1	EA	
11	PE950125	LIGHT SOCKET	1	EA	
12	004528-000	LAMP, 40 WATT CLEAR LIGHT	1	EA	
13	10270203	HOUSING-LIGHT V10270203	1	EA	
14	PK930346	COVER LIGHT	1	EA	
15	B5733302	CLIP-GROUND	1	EA	
16	PK020079	LADDER FF L SXS 42D/48D	1	EA	
17	PK930085	COVER FAN SXS 48 FF	1	EA	
18	M0221913	SCREW-SM	1	EA	
19	K2096475	FAN MOUNTING PLATE	1	EA	
20	PD020188	SCR 8-18 BT HXWS 1 1/2	1	EA	
21	M0288120	NUT-SPEED VM0288120	1	EA	
22	004551-000	AXIAL FAN	1	EA	
<p>Comments for Part Num. 004551-000</p> <p>gboltz@VikingRange.com on Jul 21, 2016</p> <p>View service bulletin TR-0052-SP before ordering fan, if applicable order kit instead of fan</p>					
23	PD020194	SCR, HEX SRTD WSHR HD, #8-18 X 1/2	1	EA	
24	C8983701	THERMISTOR	1	EA	
NI	019244-000	ACCESSORY, ASM	1	EA	

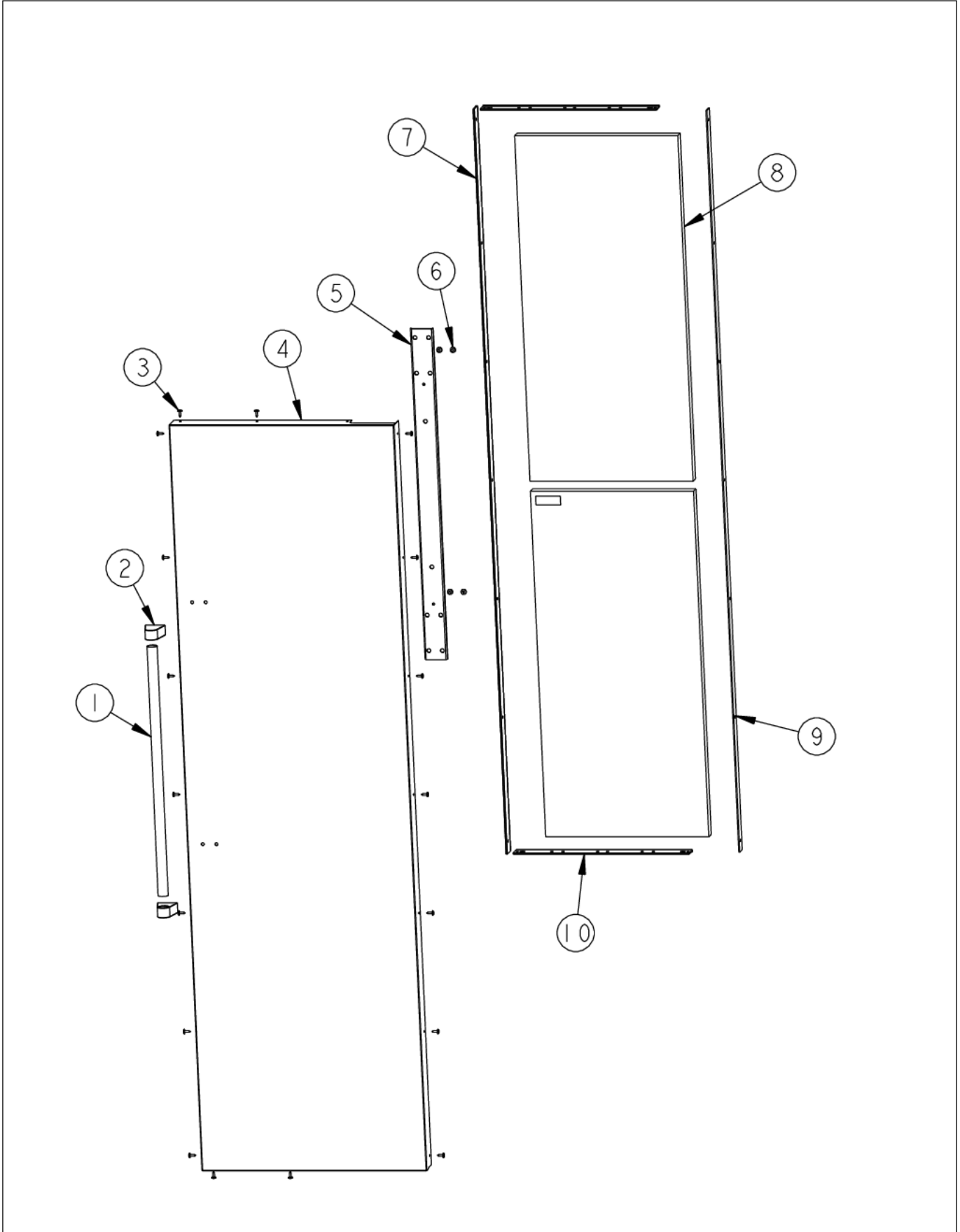
REFRIGERATOR DOOR FOAM AREA





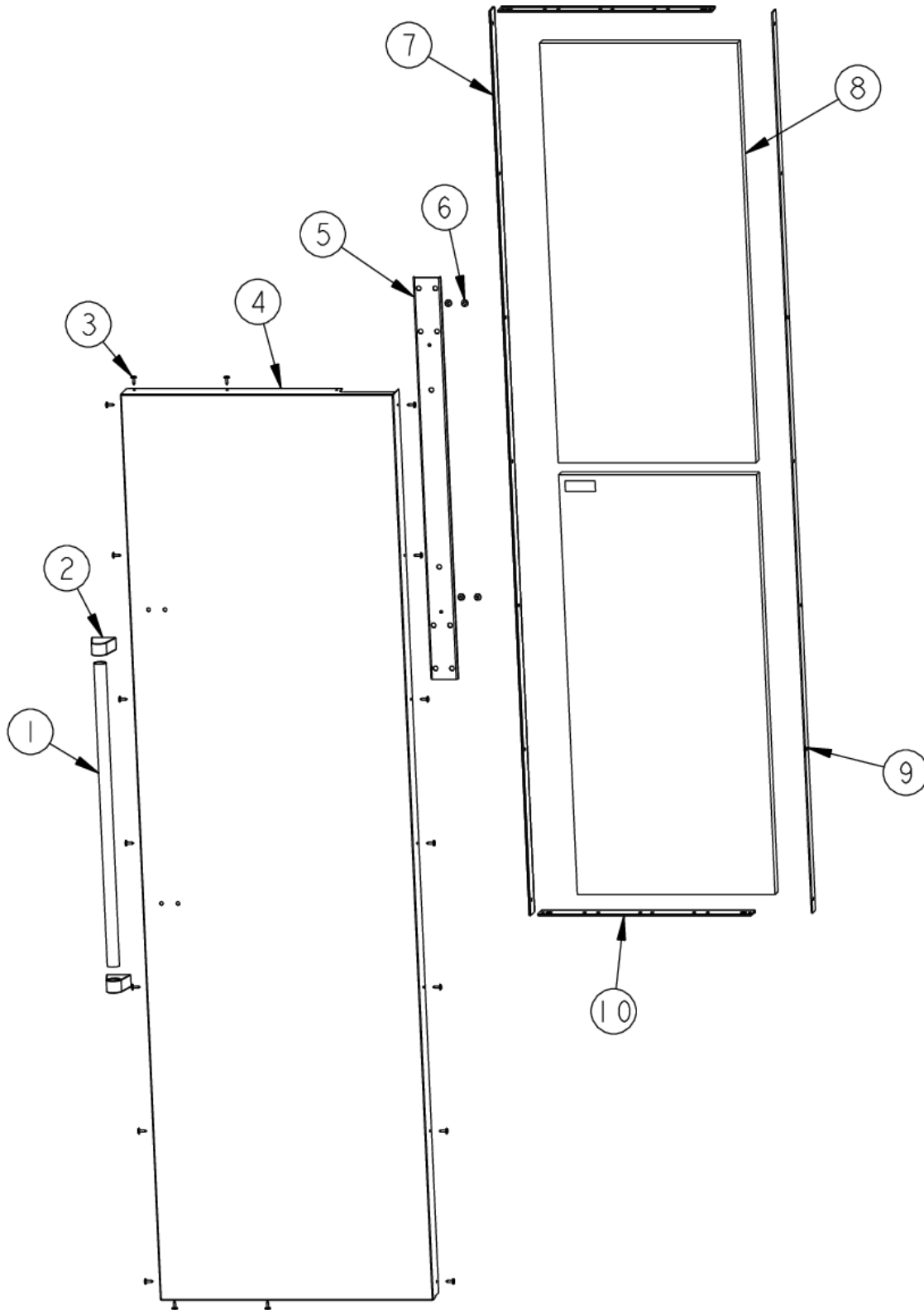
Item	Part No.	Name	Qty	Uom	NOTES
1	PD920174	10-32 TORX HEAD SCREW	1	EA	
2	PD040162	SPACER-DOOR HINGE	1	EA	
3	PC020278	PIVOT PL ASM RH UP PRO/DES	1	EA	
4	G32915037	DOOR ASM 42/42D FF	1	EA	
Not Shown	NOTE	(Includes Gasket)		EA	
5	001957-000	SERV. GASKET FACE CHARGE	1	EA	
Not Shown	NOTE	(BEFORE 06-10-08)		EA	
5	005451-000	GASKET,ASM,42,SXS,FF VID# 602711807-17	1	EA	
Not Shown	NOTE	(ON OR AFTER 06-10-08)		EA	
6	PK930123	DAIRY MODULE ASM SXS 42	1	EA	
7	036890-000	DOORBIN ASM SXS 42 FF	1	EA	
8	016181-000	PIVOT PL ASM RH LW PRO/DES	1	EA	
9	PD050019	STRIKER DOOR SWITCH	1	EA	
10	M0210458	SCREW-SM	1	EA	

REFRIGERATOR DOOR SKIN AREA





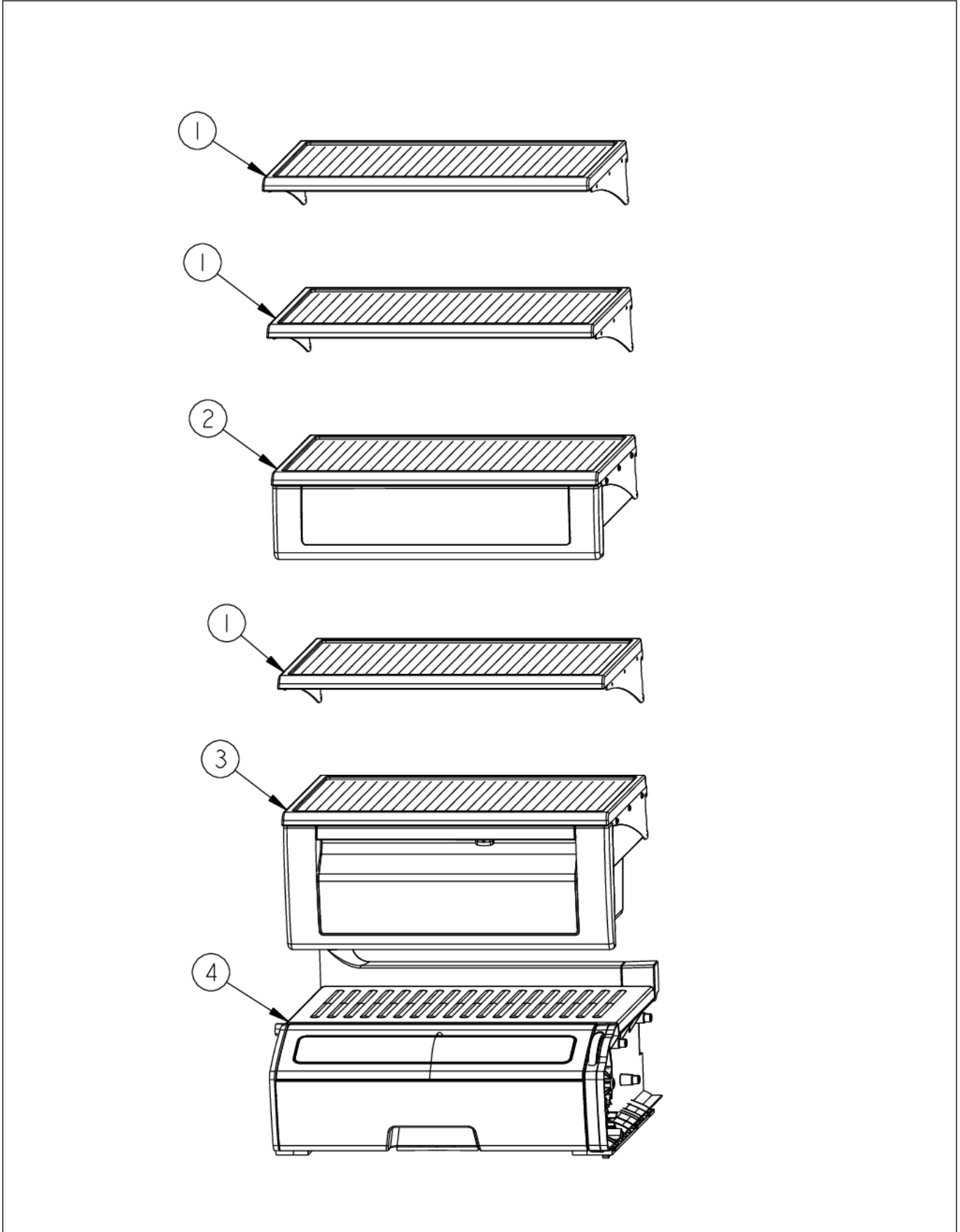
Item	Part No.	Name	Qty	Uom	NOTES
1	PE930101	VCSB482 HANDLE -(12466403)	1	EA	
Not Shown	PE030173PVD	BRASS HANDLE	1	EA	Not available online / Call for pricing and availability
2	000268-000	HANDLE ENDCAP	1	EA	
Not Shown	PE030001PVD	END CAP DOOR HANDLE *BR	1	EA	
3	M0210458	SCREW-SM	1	EA	
4	B20915913	DOOR SKIN 42 PRO FF	1	EA	
Not Shown	C90915913AL	DOOR SKIN 42 PRO FF	1	EA	NO LONGER AVAILABLE, Not available online / Call for pricing and availability
Not Shown	C90915913BK	DOOR SKIN 42 PRO FF	1	EA	Not available online / Call for pricing and availability
Not Shown	C90915913BT	DOOR SKIN 42 PRO FF	1	EA	NO LONGER AVAILABLE, Not available online / Call for pricing and availability
Not Shown	C90915913BU	DOOR SKIN 42 PRO FF	1	EA	NO LONGER AVAILABLE
Not Shown	C90915913CB	DOOR SKIN 42 PRO FF	1	EA	Not available online / Call for pricing and availability
Not Shown	C90915913CH	DOOR SKIN 42 PRO FF	1	EA	NO LONGER AVAILABLE, Not available online / Call for pricing and availability
Not Shown	C90915913EP	DOOR SKIN 42 PRO FF	1	EA	NO LONGER AVAILABLE, Not available online / Call for pricing and availability
Not Shown	C90915913FG	DOOR SKIN 42 PRO FF	1	EA	NO LONGER AVAILABLE, Not available online / Call for pricing and availability
Not Shown	C90915913GG	DOOR SKIN 42 PRO FF	1	EA	NO LONGER AVAILABLE





Item	Part No.	Name	Qty	Uom	NOTES
Not Shown	C90915913LE	DOOR SKIN 42 PRO FF	1	EA	NO LONGER AVAILABLE, Not available online / Call for pricing and availability
Not Shown	C90915913MJ	DOOR SKIN 42 PRO FF	1	EA	NO LONGER AVAILABLE, Not available online / Call for pricing and availability
Not Shown	C90915913SG	DOOR SKIN 42 PRO FF	1	EA	NO LONGER AVAILABLE, Not available online / Call for pricing and availability
Not Shown	C90915913VB	DOOR SKIN 42 PRO FF	1	EA	NO LONGER AVAILABLE, Not available online / Call for pricing and availability
Not Shown	L20915913WH	DOOR SKIN 42 PRO FF	1	EA	NO LONGER AVAILABLE, Not available online / Call for pricing and availability
5	K2097526	Bracket, Handle Support (Frz.)	1	EA	
6	M0204303	SCREW-MACH	1	EA	
7	PE940176	Door Trim - Side	1	EA	
8	PM910333	BLOCK EPS DOOR SKIN SXS 42 FF	1	EA	NO LONGER AVAILABLE
9	014581-000	SPACER,TRIM,SXS,AF,AR	1	EA	
10	056838-000	TRIM, FF, TOP/BTM, 42	1	EA	

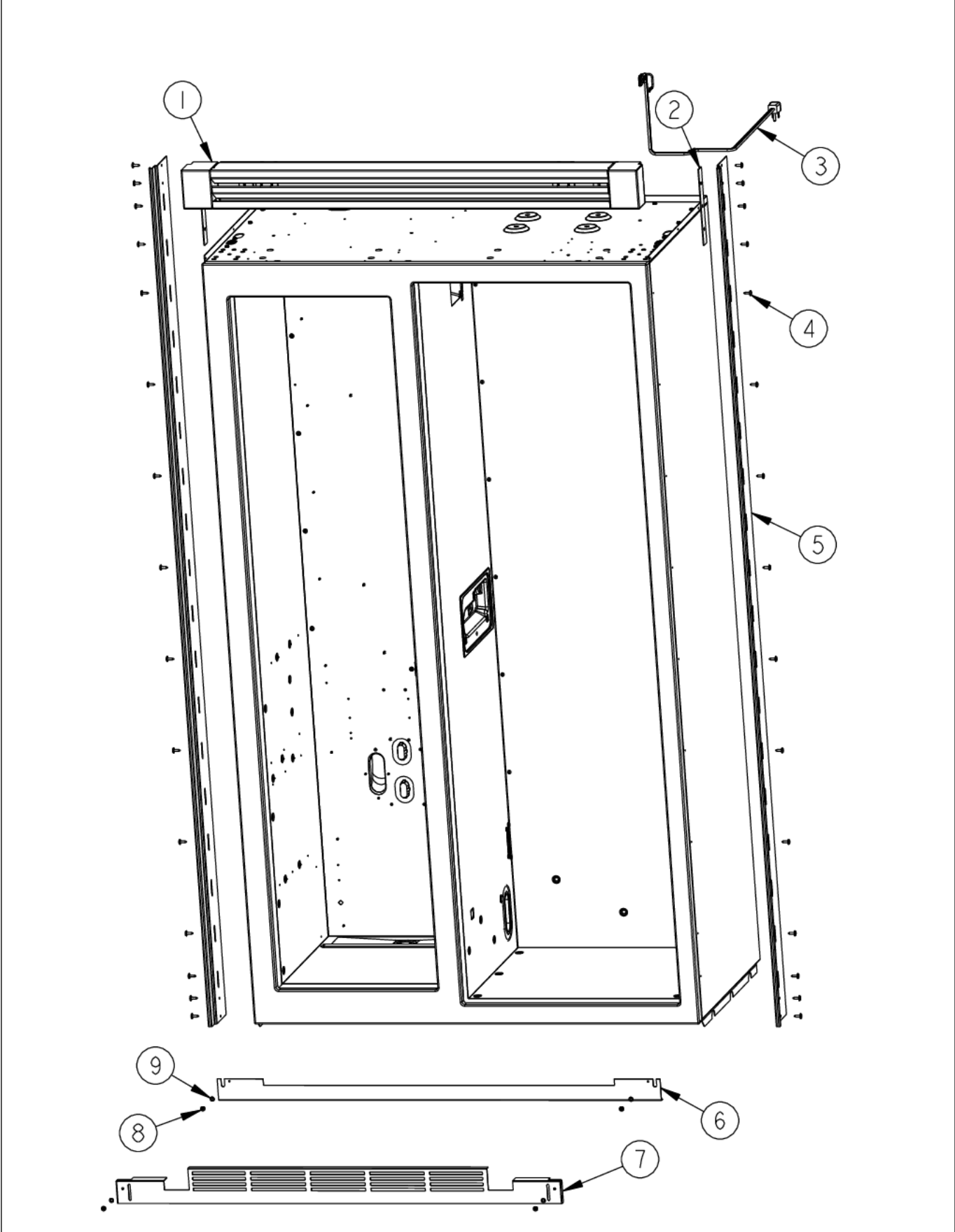
REFRIGERATOR SHELVING





Item	Part No.	Name	Qty	Uom	NOTES
1	043623-000	SHELF ASM GLASS 42 FF	1	EA	
2	DELI DRAWER	SEE PAGE 002 FOR BREAKDOWN	1	EA	
3	Produce Drawer	SEE PAGE 003 FOR BREAKDOWN	1	EA	Not available online / Call for pricing and availability
4	CONV. MEAT SAVER DRAWER	SEE PAGE 004 FOR BREAKDOWN	1	EA	

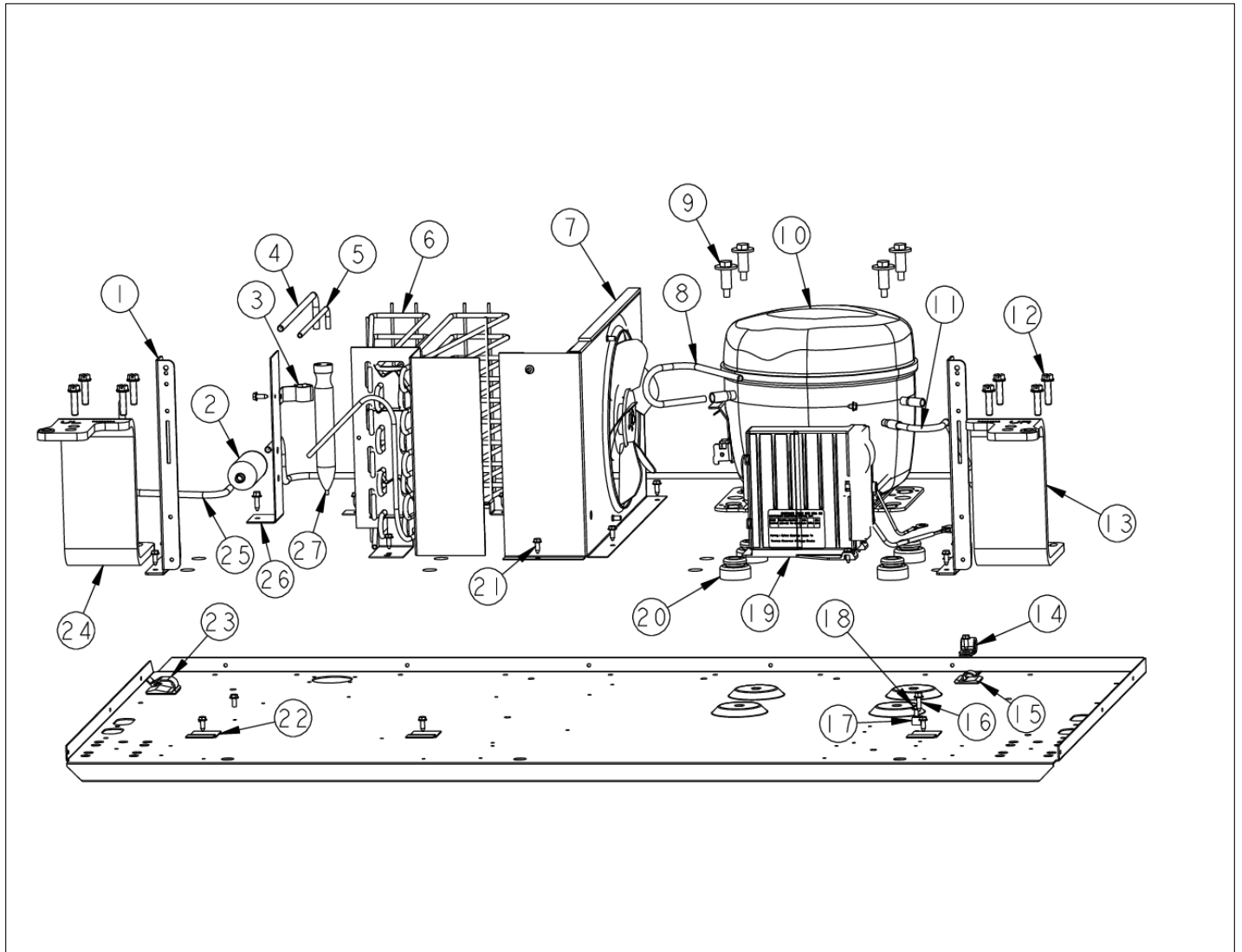
UNIT EXTERIOR





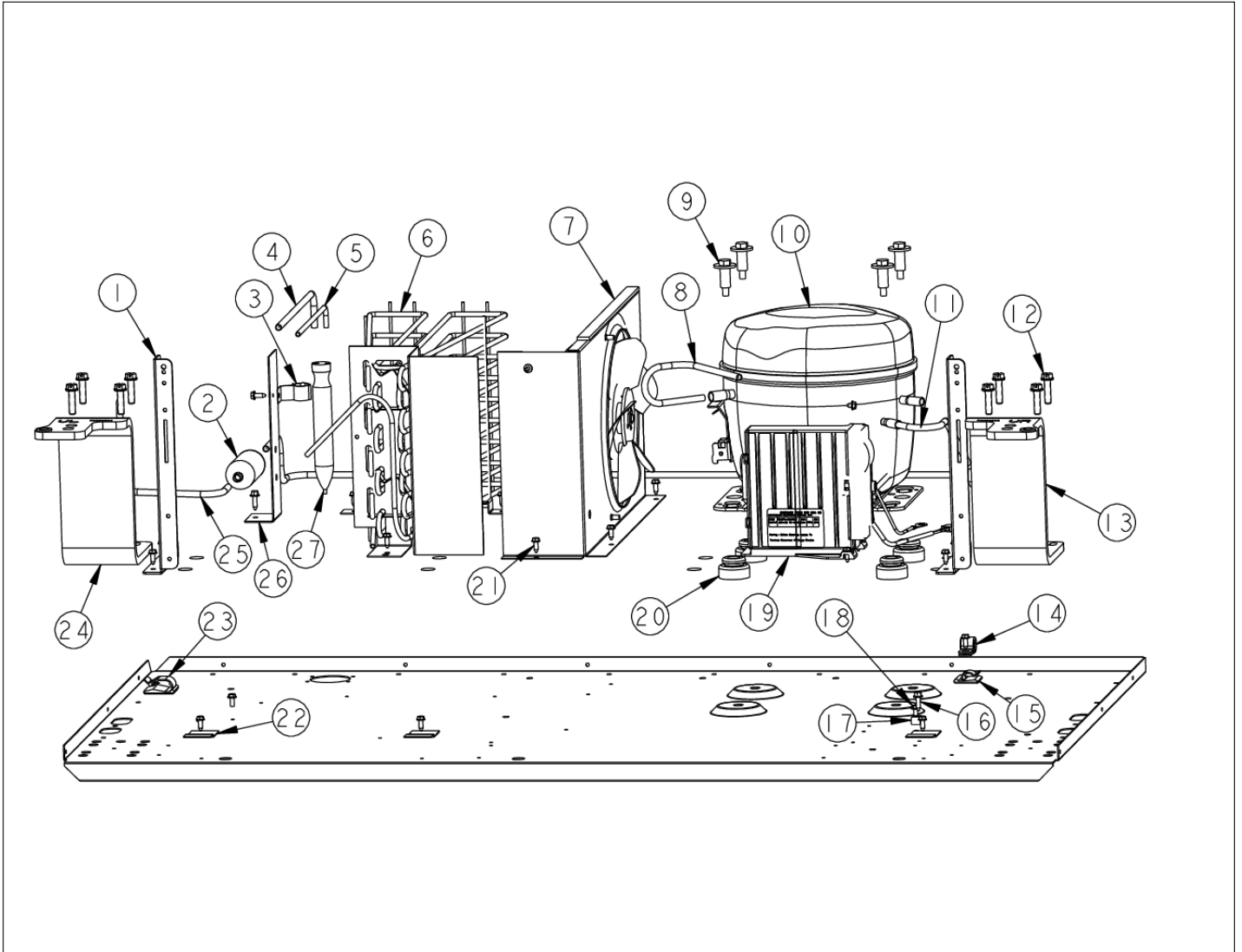
Item	Part No.	Name	Qty	Uom	NOTES
1	G32912540	GRILLE ASM SXS 42 PRO		EA	
Not Shown	NOTE	(For breakdown see page 015)		EA	
2	12135402	SHIM-CAB TRIM		EA	
3	10916507	CORD-POWER 5 SERIES		EA	
4	M0210458	SCREW-SM		EA	
5	PK910123	SIDE TRIM - PRO		EA	
6	000207-002	KICKPLATE, LWR		EA	
7	C9097789BK	GRILLE TOE VENTED BK		EA	
8	M0210443	SCREW-E SM VM0210443		EA	
9	40370P01	NYLON FLAT WASHER V40370P01		EA	
NI	G50915601	GRILLE TOE ASM SXS 42		EA	
NI	PK930299	COLLAR SLEEVE SXS DISP		EA	

UPPER UNIT AREA





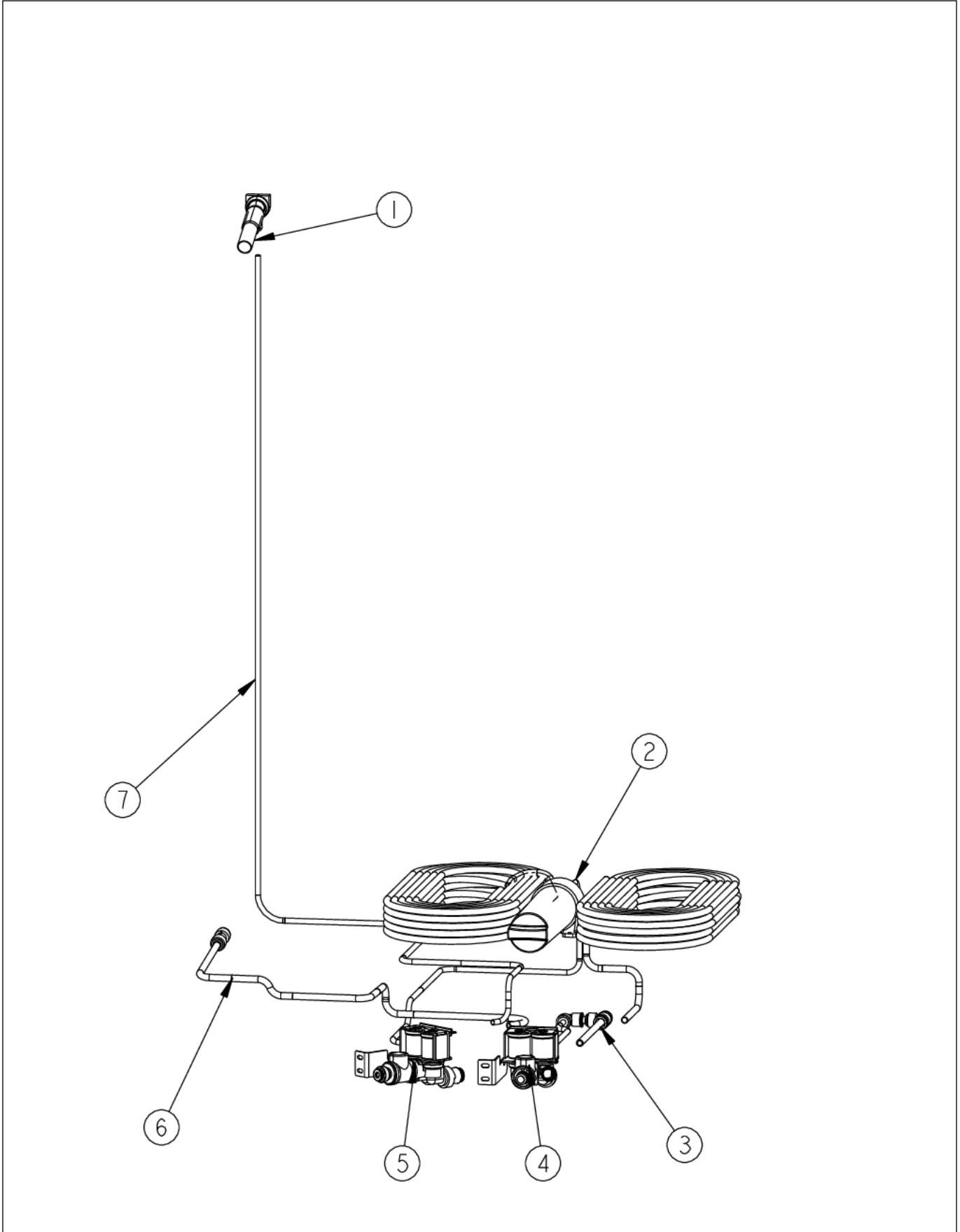
Item	Part No.	Name	Qty	Uom	NOTES
1	K20912569	BRACKET GRILLE SUPPORT	1	EA	
2	PB920201	ACCUMULATOR	1	EA	
3	10547001	CLIP-DRIER V10547001	1	EA	
4	F2097740	TUBE PROCESS	1	EA	
5	F2096504	TUBE-DRIER EXT	1	EA	
6	PB920171	CONDENSER ASM	1	EA	
7	G5096494	COND. FAN ASSY	1	EA	
8	F2096507	TUBE-PROCESS GRN	1	EA	
9	M0221523	SCREW - SHLDR	1	EA	
10	G5097976	Compressor Assembly (Includes Drier)	1	EA	
11	F2099443	TUBE DISCHARGE FORMED PRE ACCUM	1	EA	
12	000570-000	FASTENER, BOLT, 1/4-20 IHXWS 1" S ZN SER	1	EA	
13	PC920203	HINGE ASM UR	1	EA	
14	PD030118	INSULATED CLAMP	1	EA	
15	M0104106	CLIP-CORD VM0104106	1	EA	
16	PD020195	SCR 8-18 X 5/8	1	EA	
17	M0103904	CLAMP-SPEED	1	EA	NO LONGER AVAILABLE, Not available online / Call for pricing and availability
18	PD020010	10 X 3/8 GREEN GROUNDING SCREW	1	EA	
19	011666-000	INVERTER, CMPR, ASM	1	EA	
Comments for Part Num. 011666-000					
gboltz@VikingRange.com on Aug 9, 2018					
See 2018-01P Parts Bulletin					
20	10835901	GROMMET RUBBER V10835901	1	EA	
21	PD020194	SCR, HEX SRTD WSHR HD, #8-18 X 1/2	1	EA	
22	K2096943	PANEL BRACKET	1	EA	
23	M0104102	CLIP-CORD RED	1	EA	
24	PC920204	HINGE ASM UL	1	EA	





Item	Part No.	Name	Qty	Uom	NOTES
25	F2099444	TUBE DISCHARGE FORMED POST ACCUM	1	EA	
26	K2099454	BRACKET DRIER	1	EA	
27	PM010616	DRIER - HIGH SIDE	1	EA	

WATER SYSTEM





Item	Part No.	Name	Qty	Uom	NOTES
1	G5096419	FILL TUBE ASSY	1	EA	
Comments for Part Num. G5096419					
bradleysapplianceservice@shaw.ca on May 11, 2018					
This part G5096419 does NOT come with the aluminum tube.					
If aluminum tube is required, order 005899-000 and cut to size.					
2	041669-000	FILTER/COIL TUBE ASSEMBLY	1	EA	
3	PB020322	TUBE AND FITTING ASM	1	EA	
4	PA070014	WATER VALVE	1	EA	
5	G50911843	WATER VALVE KIT	1	EA	
6	PB020294	TUBE ASM-DOOR TO VALVE	1	EA	
7	PB020303	Water Line	1	EA	
NI	PB020302	PLASTIC TUBING-DOOR WATERLINE SXS DISP	1	EA	



Appendix A:Pages Index

040066-000 HARNESS JUMPER LOWER 1
040078-000 HARNESS, JUMPER DISP 2
040085-000 HARNESS, MAIN 3
10916507 POWER CORD 4
CONTROL AREA 5
CONVERTIBLE MEAT SAVER 6
DELI DRAWER 7
DISP AREA 8
EVAPORATOR AREA 9
FREEZER COMPARTMENT 10
FREEZER DOOR FOAM AREA 11
FREEZER DOOR SKIN AREA 12
FREEZER SHELVING 13
ICE MAKER AREA 14
LOWER UNIT AREA 15
MC COVER AND GRILLE AREA 16
PE070785 HIGH VOLT HARNESS 17
PE970464 LOW VOLT HARNESS 18
PE970595 MACHINE HARNESS 19
PE970609 CONTROL BOARD HARNESS 20
PRODUCE DRAWER 21
REFRIGERANT SYSTEM 22
REFRIGERATOR COMPARTMENT 23
REFRIGERATOR DOOR FOAM AREA 24
REFRIGERATOR DOOR SKIN AREA 25
REFRIGERATOR SHELVING 26
UNIT EXTERIOR 27
UPPER UNIT AREA 28
WATER SYSTEM 29



Appendix B:Parts Index

000207-002	27	044370-000	15
000268-000	12, 25	044384-000	6
000570-000	15, 28	045689-000	6
000657-000	12	046235-000	7, 21
001942-000	11	046255-000	7, 21
001957-000	24	053308-000	22
002555-000	12	056647-000	12
002667-000	15	056838-000	25
002668-000	15	058966-000	9
00334-000	8	060890-000	15
004528-000	10, 23	060891-000	15
004551-000	10, 15, 23	10270203	23
005319-000	5	10276601	14
005451-000	24	10428101	9
005452-000	11	10527401	9
009927-000	21	10547001	28
011209-000	8	10623003	9
011666-000	28	10629001	9
011673-000	8	10835901	28
013685-000	8	10916507	4, 27
014581-000	12, 25	12064001	5
015813-000	14	12064701	13
016181-000	24	12135402	27
016182-000	11	12258501	14
019144-000	14	40370P01	27
019244-000	23	A3030303	9
020117-000	10	A3030361	5, 9
029418-000	14	A3189370	9
036888-000	11	A4554806	15, 16
036890-000	24	A4554817	5, 15
040066-000	1	B10910081	8
040078-000	2	B20911816	16
041624-000	8	B20911817	16
041669-000	29	B20911863	14
043051-000	3	B20913078	16
043156-000	14	B20913080	16
043623-000	7, 21, 26	B20913082	16
044214-000	7, 21	B20915627	15
044219-000	7, 21	B20915913	25
044232-000	6	B2096961	16
		B2096962	16



VCSB423DJMAGR SERIES

B5733302	10, 23	G50911843	15, 29
B8385402	8	G50911853	15
C8983701	10, 23	G50913708	23
C90910027WH	14	G50914155	8
C90914113WH	14	G50915601	27
C90915913AL	25	G5096419	14, 29
C90915913BK	25	G5096494	28
C90915913BT	25	G5097976	22, 28
C90915913BU	25	G5098660	9
C90915913CB	25	K20910060	5
C90915913CH	25	K20910061	5
C90915913EP	25	K20911831	15
C90915913FG	25	K20912569	28
C90915913GG	25	K20913096	23
C90915913LE	25	K20913790	15
C90915913MJ	25	K20914175	15
C90915913SG	25	K2091500	5
C90915913VB	25	K20915675	16
C90915915AL	12	K20915903	16
C90915915BK	12	K20915952	15
C90915915BT	12	K2096456	9
C90915915BU	12	K2096457	9
C90915915CB	12	K2096458	9
C90915915CH	12	K2096461	9
C90915915EP	12	K2096475	10, 23
C90915915FG	12	K2096943	28
C90915915GG	12	K2097526	12, 25
C90915915LE	12	K2098044	15
C90915915MJ	12	K2098096	15
C90915915SG	12	K2098654	5
C90915915VB	12	K2099402	5
C9097789BK	27	K2099454	28
F20915693	15	K2099455	16
F2096504	22, 28	K2099458	16
F2096507	22, 28	K2099459	16
F2097740	22, 28	K2099460	16
F2099443	22, 28	K2099461	16
F2099444	22, 28	L20910054	10
G32912540	27	L20910056	10
G32915036	11	L20910057	10
G32915037	24	L20910067	13



VCSB423DJMAGR SERIES

L20910075	10	PB070360	16
L20914114	10	PB070361	16
L20914115	10	PB920171	28
L20915913WH	25	PB920201	22, 28
L20915915WH	12	PB970171	16
L2097158WH	10, 14	PB980023	8
L2099251	23	PC010022	8
L2099474	23	PC020278	24
L2099475	10	PC020279	11
M0103904	28	PC020288	15
M0104102	28	PC020289	15
M0104106	5, 28	PC040010	5, 5, 16
M0204303	12, 25	PC910015	15
M0210443	8, 27	PC920144	15
M0210458	11, 12, 24, 25, 27	PC920145	15
M0211014	10	PC920149	15
M0211021	6, 14	PC920166	15
M0213503	14	PC920203	28
M0215318	8, 11	PC920204	28
M0220417	15, 16	PD020010	15, 28
M0221523	15, 28	PD020013	5
M0221913	10, 23	PD020188	10, 23
M0223101	14	PD020191	14
M0223509	16	PD020193	8
M0224128	5, 6	PD020194	5, 8, 9, 10, 13, 14, 15, 16, 23, 28
M0238535	10, 23	PD020195	6, 23, 28
M0238846	5	PD020233	16
M0238859	9	PD020234	15
M0253916	15	PD020274	15
M0270510	16	PD030006	12
M0270546	8	PD030118	28
M0288120	5, 10, 23	PD030146	15
M0580007	10	PD040071	8
M0585504	5	PD040157	16
M0585506	5	PD040162	11, 24
PA070014	15, 29	PD050019	11, 24
PB020294	29	PD920161	7, 21
PB020302	29	PD920162	6, 7, 21
PB020303	29	PD920174	11, 24
PB020322	29	PD920193	10
PB070355	16	PD940090	15



VCSB423DJMAGR SERIES

PD940091	15	PK930120	6
PD940094	15	PK930121	7
PD940107	15	PK930123	24
PE010030	12	PK930170	6
PE010031	12	PK930171	6
PE010068	12	PK930172	6
PE010076	12	PK930173	6
PE030001PVD	12, 25	PK930174	6
PE030173PVD	12, 25	PK930175	6
PE050248	15	PK930176	6
PE070728	5	PK930230	5
PE070755	8	PK930237	23
PE070785	17	PK930264	14
PE930101	12, 25	PK930265	14
PE940176	12, 25	PK930266	14
PE950125	10, 23	PK930297	11
PE950146	15	PK930298	11
PE950147	15	PK930299	27
PE950149	5	PK930313	23
PE950152	8	PK930346	23
PE950158	14	PK930348	15
PE950159	5	PK930404	8
PE970464	18	PM010616	22, 28
PE970595	19	PM010625	8
PE970609	20	PM910190	13
PF930487	5	PM910206	9, 22
PF930672	5	PM910227	23
PJ910031	9	PM910231	13
PK020079	23	PM910287	6
PK030470	8	PM910288	6
PK050004	16	PM910325	5
PK910089	16	PM910331C	14
PK910123	27	PM910333	25
PK930074	13	PM910334	6
PK930075	13	PM910342	7, 21
PK930085	23	PM910343	7, 21
PK930086	10	PM910375	10
PK930096	14	PM910411	13
PK930107	13	PM910435	14
PK930114	6	Produce Drawer	26
PK930115	23	V12221005	8



V12268304 8